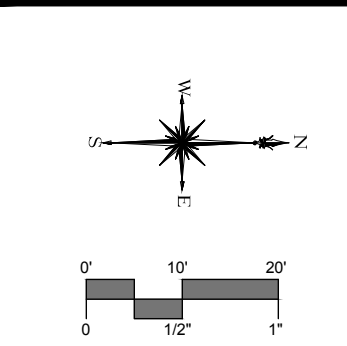


P - Passenger Car	
Overall Length	19.000ft
Overall Width	7.000ft
Overall Body Height	4.300ft
Min Body Ground Clearance	1.115ft
Track Width	6.000ft
Lock-to-lock time	4.00s
Max Steering Angle (Virtual)	31.60°



**SLR**  
 99 REALTY DRIVE  
 SUITE 200  
 STAMFORD, CT 06907  
 203.271.7171  
 SLRCONSULTING.COM

**PARKING GARAGE VEHICLE TRACKING**  
**GROUND FLOOR**  
 100 CLINTON AVENUE  
 STAMFORD, CT

DESIGNED	EAF	DGS
DRAWN		CHECKED
SCALE: 1"=20'		
DATE: JANUARY 11, 2023		
PROJECT NO.: 141.21074.00001		
SHEET NO.: 01 OF 02		

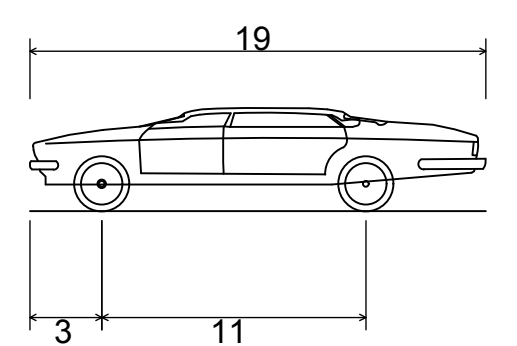
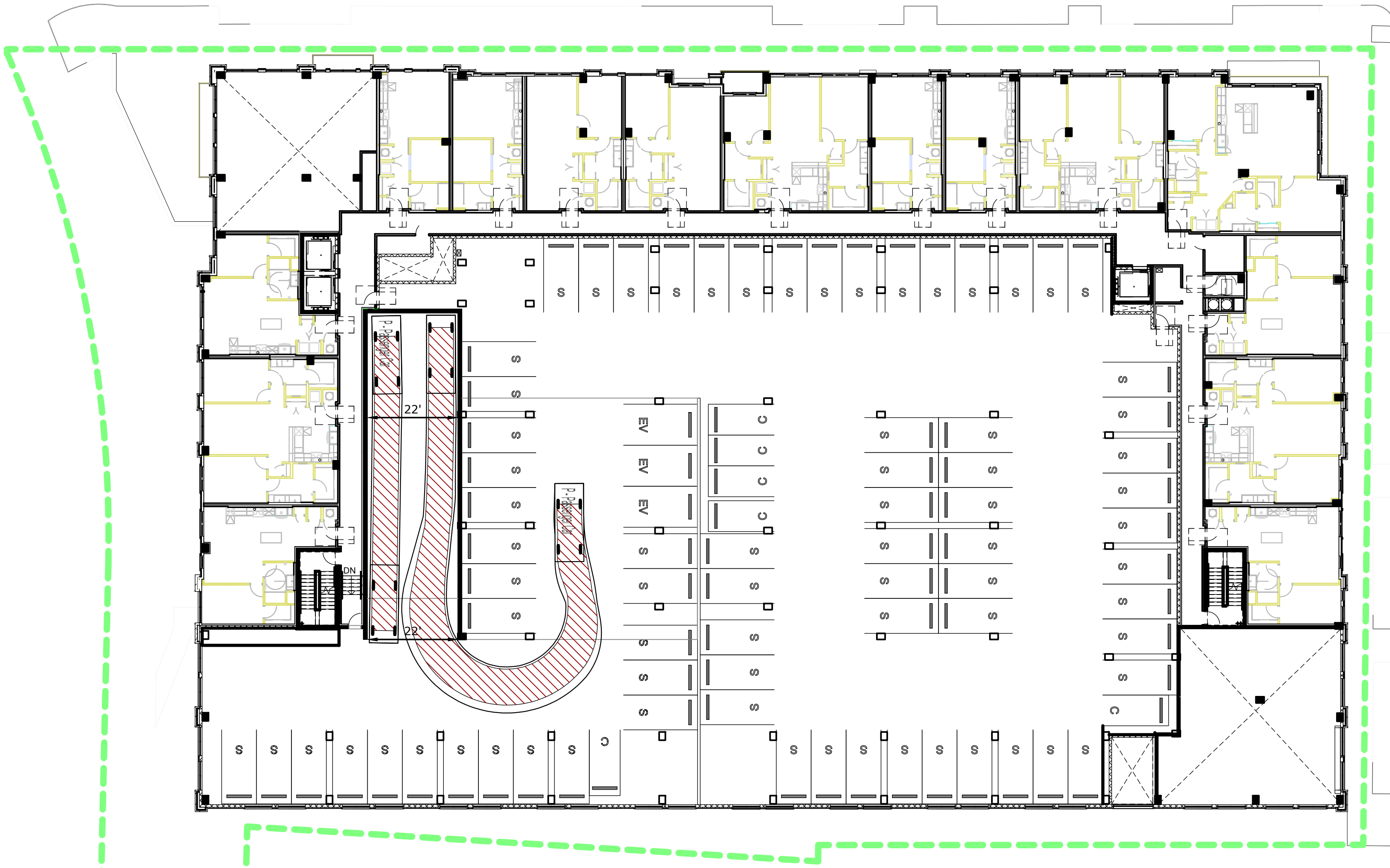
**01**

ALL RIGHTS RESERVED. NO PART OF THIS DOCUMENT IS TO BE REPRODUCED OR TRANSMITTED IN ANY FORM OR BY ANY MEANS, ELECTRONIC OR MECHANICAL, INCLUDING PHOTOCOPYING, RECORDING, OR BY ANY INFORMATION STORAGE AND RETRIEVAL SYSTEM.

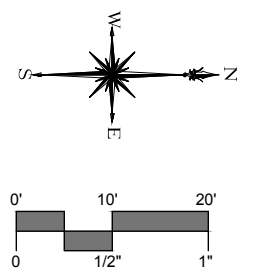
Copyright SLR International Corporation - 2021



100 CLINTON AVENUE STAMFORD, CT 06901  
 203.271.7171  
 SLR CONSULTING, INC.  
 99 REALTY DRIVE SUITE 200  
 STAMFORD, CT 06901  
 203.271.7171  
 SLR CONSULTING, INC.



P - Passenger Car  
 Overall Length 19.000ft  
 Overall Width 7.000ft  
 Overall Body Height 4.300ft  
 Min Body Ground Clearance 1.115ft  
 Track Width 6.000ft  
 Lock-to-lock time 4.00s  
 Max Steering Angle (Virtual) 31.60°



PARKING GARAGE VEHICLE TRACKING

SECOND FLOOR

100 CLINTON AVENUE  
STAMFORD, CT

DESIGNED	EAF	DGS
DRAWN	CHECKED	
SCALE 1"=20'		
DATE JANUARY 11, 2023		
PROJECT NO. 141.21074.00001		
SHEET NO. 02 OF 02		

02