

223



INSTR # 2017002169  
VOL 11674 PG 54  
RECORDED 02/10/2017 12:08:54 PM  
DONNA M LOGLISCI  
CITY & TOWN CLERK STAMFORD CT  
BLOCK 223

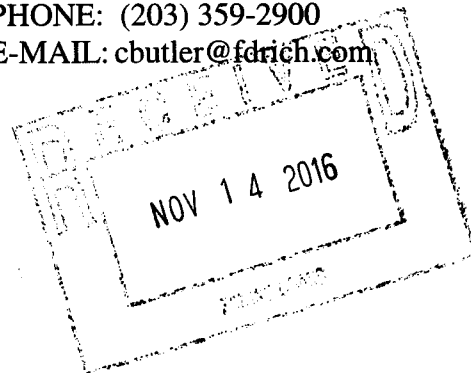
**Record and Return to:**  
Carmody Torrance Sandak & Hennessey LLP  
Attention: Lisa L. Feinberg  
707 Summer Street  
Stamford, CT 06901

**AFFORDABILITY PLAN  
BEDFORD HALL  
545 BEDFORD STREET, STAMFORD, CONNECTICUT**

**SUBMISSION TO CITY OF  
STAMFORD ZONING BOARD**

**October 2016**

TR Eastview, LLC  
545 Bedford Street  
Stamford, CT 06901  
PHONE: (203) 359-2900  
E-MAIL: cbutler@fdrich.com



{S7030662;2}

## INTRODUCTION

TR Eastview, LLC submits this Affordability Plan to the City of Stamford Zoning Board for management of Below-Market-Rate Units ("BMR Units") at Bedford Hall, 545 Bedford Street, located in Stamford, Connecticut.

This Plan is intended to implement the land use approvals issued by the City of Stamford for BMR Units and to comply with the Affordable Housing Guidelines ("Guidelines") approved Oct. 2001, attached as Sch. F by the Zoning Board, and with the federal and state fair housing statutes, 42 U.S.C. §§ 3601 et seq. and Conn. Gen. Stat. §§ 46-64c et seq. As set forth in the Stamford Zoning Regulations, Article III, § 7.4-C3, it is acknowledged that this Plan must be approved by the Zoning Board and recorded on the land records in the City of Stamford.

### ATTACHED SCHEDULES

- A. Designation of Below-Market-Rate Units
- B. HUD Income Definitions
- C. Required Documentation of Income
- D. Qualification Standards for Prospective Residents
- E. Stamford Zoning Regulations – BMR Units – Article III, § 7.4
- F. Guidelines for Management of Below-Market Rental Units
- G. Affirmative Fair Housing Marketing Guidelines, Regs. of Conn. State Agencies, §§ 8-37ee-300 et seq.

### **I. Homes Designated As Below-Market-Rate Units.**

Seven (7) of the rental apartment homes at Bedford Hall will be designated as BMR Units as defined in Article III, Section 7.4 of the Stamford Zoning Regulations, set forth in Schedule E. The specific units designated as BMR Units are set forth in Schedule A attached hereto.

## **II. Affordability Period.**

Rental restrictions for the required minimum percentage of BMR Units shall remain in full force and effect for so long as the development exists. These restrictions shall be administered in accordance with this Plan, and with written guidelines as adopted by the Zoning Board.

## **III. Entity Responsible For Administration And Compliance.**

The City's Director of Public Safety, Health and Welfare, or the Director's designee, shall serve as the Affordable Housing Manager ("AHM") for Bedford Hall and, subject to the enforcement powers set forth in this Plan, will be responsible for administering this Plan and for complying with Article III, § 7.4-C3 of the Stamford Zoning Regulations, Schedule E.

Bedford Hall will perform the tenant selection process for Initial Rentals under this Plan. Accordingly, Bedford Hall will be hosting a lottery for all eligible applicants.

Notwithstanding the foregoing, the City's Director of Public Safety, Health and Welfare shall retain all enforcement powers and remedies as AHM and does not by this Plan relinquish or delegate its rights or remedies. The City's Director of Public Safety, Health and Welfare, preserves the right to designate an AHM to manage a citywide BMR program, and TR Eastview, LLC, its successors and assigns, agrees to pay reasonable compensation to said AHM for management of the BMR Units at Bedford Hall, should this right be exercised.

## **IV. Responsibilities Of The AHM.**

The AHM will monitor the management of the application, income eligibility, rental price, conveyance, administration, record-keeping and certification processes for the BMR Units and will maintain the information and documentation necessary to ensure and demonstrate compliance with this Plan.

## **V. Reporting Requirements.**

It is acknowledged by TR Eastview, LLC that the BMR Unit program constitutes an important public policy program of the City of Stamford, and therefore requires reporting to City agencies and officials as necessary to ensure proper implementation and compliance. Therefore, following completion of the initial leasing period, the AHM, no later than January 31 of each year, shall file with the City's Planning Department, the following information, accurate as of the report date:

- A. Total number of units available for occupancy, with unit vacancies listed.
- B. Total number of units occupied.

- C. Total number of BMR Units available for occupancy, with unit vacancies listed.
- D. Total number of BMR Units occupied.
- E. By number of bedrooms in the unit, the total income reported by the tenant household during the application or recertification process and certified by the AHM as satisfying the BMR Unit program criteria; the total number of persons occupying the unit; the occupation of each adult resident of the unit, as reported during the application or recertification process; and the gross and net rent, utility allowance, and any mandatory fees paid for the current occupancy of the unit. Such information shall be reported without inclusion of or reference to the names of the occupants. The receipt, handling, custody, access to, and storage of application materials and household income information shall be subject to the enforcement and inspection provisions set forth in Section XIV of this Plan.
- F. A summary, without names, addresses, or other identifying information, of reasons given in writing by the AHM for the rejection of any household after completion of an application package, or for dismissal from the waiting list.
- G. The total number of persons/households on the Waiting List, reported by preference category and unit size qualification.

**VI. Pro-Rata Construction And Dispersion.**

The BMR Units shall be built and offered for rent on a *pro rata* basis. The BMR Units shall comply with § 7.4-C2 of the Stamford Zoning Regulations, Schedule E, with respect to size, quality, amenities, services, utilities and standards. The proposed designation of BMR Units is identified in Schedule A. It is the intent of this Plan, therefore, that (1) during initial leasing, one (1) BMR Unit will be advertised and offered for rental within the time that nine (9) market-rate units are advertised and offered for rental; and (2) thereafter, for the period of years stated in Section II of this Plan, the minimum number of BMR Units stated in Section I shall be maintained for the duration of the affordability periods stated in Section II.

**VII. Initial Tenant Eligibility**

The BMR Units shall be available to those earning not more than 50 percent of the median household income, adjusted for household size, of the Stamford Standard Metropolitan Statistical Area ("SMSA"). The median household income of the SMSA will be determined using the statistics published and periodically revised by the U.S. Department of Housing and Urban Development ("HUD"). The AHM and TR Eastview, LLC shall encourage the occupancy of BMR Units by families with Section 8 vouchers or other governmental housing assistance.

## **VIII. Affirmative Fair Housing Marketing Plan.**

The availability of the BMR Units at Bedford Hall shall be publicized using the State regulations for affirmative fair housing marketing programs as guidelines (Schedule G). The purpose of such efforts shall be to apprise residents of municipalities of relatively high concentrations of minority populations of the availability of such units. Notices of initial availability of units shall be provided, at a minimum, by advertising at least two times in a newspaper of general circulation in such identified municipalities. The AHM shall also provide such notices to the Zoning Board. Such notices shall include a description of the available BMR Units, the eligibility criteria for potential renters, the maximum rental price (as hereinafter defined), and the availability of application forms and additional information.

Using the above-referenced State regulations as guidelines, dissemination of information about available affordable and market rate units shall include:

- A. Analyzing census, Connecticut Department of Economic and Community Development city profiles, and other data to identify racial and ethnic groups least likely to apply based on representation in Stamford's population, including Asian Pacific, Black, Hispanic, and Native American populations.
- B. Announcements/advertisements in publications and other media that will reach minority populations, including newspapers, such as the Stamford Advocate or radio stations serving Stamford and other cities and towns in the metropolitan statistical area and regional planning area, and advertisements or flyers likely to be viewed on public transportation or public highway areas.
- C. Announcements to social service agencies and other community contacts serving low-income minority families (such as churches, civil rights organizations, the housing authority and other housing authorities in nearby cities and towns, legal services organizations, etc.).
- D. Assistance to minority applicants in processing applications.
- E. Marketing efforts in geographic area of high minority concentrations within the housing market area and metropolitan statistical area.
- F. Beginning affirmative marketing efforts prior to general marketing of units, and repeating again during initial marketing and at 50 percent completion.

**IX. Tenant Eligibility.**

Maximum and minimum income limits and eligibility of families or households to rent a BMR Unit of particular bedroom size in the Bedford Hall development shall be determined in accordance with Sections VI and VII of the Guidelines and § 7.4-C1 of the Stamford Zoning Regulations. In case of a conflict, the Zoning Regulations shall prevail.

**X. Application Process.**

A family or household seeking to rent one of the BMR Units ("Applicant") must complete an application to determine eligibility. The application form and process shall comply with the Fair Housing Acts.

**A. Application Form.**

The application form shall be approved by the AHM and shall include forms and notices substantially in the form set forth in Schedule D. In general, income for purposes of determining an Applicant's qualification shall include the Applicant family's total anticipated income from all sources for the twelve (12) month period following the date the application is submitted ("Application Date"). If the Applicant's financial disclosures indicate that the Applicant may experience a significant change in the Applicant's future income during the twelve (12) month period, the AHM shall not consider this change unless there is a reasonable assurance that the change will in fact occur. In determining what is and is not to be included in the definition of family annual income, the AHM shall use the criteria set forth in Schedules B and C.

**B. Applicant Interview.**

The AHM may interview Applicants upon submission of the completed application. Specifically, the AHM shall, during the interview, undertake the following:

1. Review with the Applicant all the information provided on the application.
2. Explain to the Applicant the requirements for eligibility, verification procedures, and the penalties for supplying false information.
3. Verify that all sources of family income and family assets have been listed in the application. Make clear that the term "family" includes all individuals who are to occupy the home, and that no relationship by blood or marriage is required.
4. Require the Applicant to sign the necessary release forms to be used in verifying income. Inform the Applicant of what verification and documentation must be provided before the application is deemed complete.
5. Inform the Applicant that a decision as to eligibility cannot be made until all items on the application have been verified.

6. Review with the Applicant the process and restrictions regarding recertification and renewal.

C. Verification Of Applicant's Income.

Where it is evident from the income certification form provided by the Applicant that the Applicant is not eligible, additional verification procedures shall not be necessary. However, if the Applicant appears to be eligible, the AHM shall require verification of the Applicant's reported income.

D. Application Fee.

Bedford Hall may charge a reasonable fee for the purpose of covering its administrative expenses in processing applications for first time occupancy, including payments for the use of third-party credit reporting services. At present, the application fee is \$50 per applicant. No application fee shall be charged for recertification, renewal or in-building relocation of an existing tenant.

**XI. Lottery.**

If, after publication of the notice of initial availability of rental units as described in § VIII hereof, the number of qualified applicants exceeds the number of BMR Units, the AHM shall conduct a lottery to select tenants. The lottery will be held upon the completion of the application process described in § X above. The BMR Units will then be offered for lease according to the lottery's results. Once all BMR units have been assigned, the remaining applicants from the lottery will be placed on a waitlist based on a first come, first serve basis.

**XII. Maximum Rental Price.**

Calculation of the maximum rental price ("Maximum Rental Price") for a BMR Unit, so as to satisfy the BMR Unit Regulations, shall be determined, maintained, and updated annually when the AMI and Utility Allowances are published by the AHM. Such calculation shall utilize the median household income statistics of the SMSA, as in effect on the day a rental application is accepted by the AHM. The AHM may make such adjustments to calculation factors, except those expressly dictated by the BMR Unit Regulations or published data sources, as are necessary to achieve the goals of the BMR Unit Program. The criteria for pricing one bedroom BMR Units shall be the SMSA median income for families of one and one-half persons; two bedroom BMR Units shall be priced based on the SMSA median income for families of three persons; three bedroom BMR Units shall be priced based on the SMSA median income for families of four and one-half persons; and the BMR rent for a junior one bedroom BMR unit shall be based on the AMI adjusted for a household size of 0.9 (63% of AMI). Using the 2014 data as an example, the Maximum Rental Price shall be calculated as follows:

**EXAMPLE OF CALCULATION OF RENTAL PRICE  
FOR TWO BEDROOM RENTAL FOR FAMILY  
EARNING LESS THAN 50 PERCENT OF THE AREA  
MEDIAN INCOME**

**SAMPLE  
COMPUTATIONS  
BASED ON FY 2015  
DATA**

1.	Median family income for the Stamford Standard Metropolitan Statistical Area (SMSA):	\$127,900
2.	Determine the adjusted income for a household of 3.0 persons by calculating 90 percent of Item 1:	\$115,110
3.	Calculate 50% percent of Item 2:	\$57,555
4.	Calculate 30 percent of Item 3, representing the maximum portion of a family's income that may be used for housing:	\$17,266
5.	Divide Item 4 by 12 to determine the maximum monthly outlay:	\$1,439
6.	Section 8 utility allowance, as determined by the Stamford Housing Authority for a 2 bedroom:	\$258
7.	Subtract utility allowance (Item 6) from maximum housing expense (Item 5) to determine maximum rent:	\$1,181

**NOTE: The US Department of Housing and Urban Development (HUD) provides updated area median income estimates each spring. Utility allowances are calculated based on a schedule determined by the Housing Authority of the City of Stamford and updated annually.**

**XIII. Required and Optional Services and Amenities.**

Rents for BMR Units shall be net rents that shall include all amenities that are provided free of charge or are bundled as a mandatory package for tenants in market-rate units. Amenities included in such net rent at Bedford Hall shall include one parking space and access to any concierge services, fitness center, clubroom (business hours/daytime), pool, or indoor or outdoor active or passive recreation facilities offered at the site to market-rate unit tenants; but shall not include out-of-unit storage space, nighttime or holiday rental of clubroom for private parties/special events, telephone, cable TV, or other telecommunications services. If renters' insurance is made available to market-rate unit tenants, it will be made available on the same terms to BMR Unit tenants. Tenants shall have the opportunity to opt-out of the parking space amenity in exchange for a reduction in rent equivalent to the price to market unit residents to lease a parking space from Bedford Hall management.

The AHM may establish other fees for optional or discretionary services such as a non-refundable and monthly pet fee and storage fee.



**XIV. Principal Residence.**

BMR Units shall be occupied only as an Applicant's/tenant's principal residence. Subleasing of BMR Units shall be prohibited, and such prohibition shall be stated in the lease or lease rider.

**XV. Change Of Income Or Qualifying Status Of Tenant Of Rental Unit.**

In the event that a BMR Unit tenant's income changes so as to exceed the qualifying maximum, or if the tenant otherwise becomes disqualified, the procedures set forth in the Guidelines at Schedule F, Section XIII, shall be followed.

**XVI. Enforcement.**

A violation of this Affordability Plan shall not result in a forfeiture of title, but the Stamford Zoning Board shall otherwise retain all enforcement powers granted by the General Statutes or any Special Act, which powers include, but are not limited to, the authority, at any reasonable time, to inspect the property and to examine the books and records of the BMR Unit Program to determine compliance of BMR Units with the applicable regulations, the Guidelines, and this Plan. The AHM agrees to collect and maintain all books, records, files and information necessary to permit the City or the Zoning Board to determine compliance with the Guidelines or this Plan. The City Zoning Enforcement Officer and the Director of Public Safety, Health and Welfare shall be permitted to inspect the property and examine all books, records, application forms, waiting lists, and rent rolls of the BMR Unit Program, including the household income information provided by applicants or tenants, provided that all such applicant and tenant information shall be confidential and shall not be deemed a public record subject to disclosure under the Freedom of Information Act. Notwithstanding the zoning enforcement powers possessed by the Stamford Zoning Board under the Stamford Zoning Regulations, and subject to any contract or agreement providing otherwise, the City of Stamford and the Stamford Zoning Board retain all rights to pursue all legal and/or equitable remedies available to them and to assert any and all claims and causes of action against any person, firm, corporation or other legal entity arising from the administration of this Plan.

**XVII. Amendment.**

This Affordability Plan may be amended without the consent of the residents of the BMR Units so long as the amendment shall not cause material harm to the residents of a BMR Unit.

**SCHEDULE A  
DESIGNATION OF BELOW-MARKET-RATE UNIT**

**Beford Hall Stamford Below Market Rate Housing Exhibit and Rental Matrix Summary**

TYPE	FLOOR PLAN	SF	TOTAL UNITS	TOTAL SF	TOTAL #	AVERAGE SF	% of Units
JUNIOR 1BR+1BA	S1	441	4	1,764	14	509	17%
	S2	536	10	5,360			
1BR+1BA	A1	687	12	8,244	54	693	66%
	A1	693	20	13,860			
	A1m1	720	6	4,320			
	A1m1	735	1	735			
	A1m1	700	1	700			
	A1m2	686	4	2,744			
	A1m3	654	4	2,616			
	A1m4	718	2	1,436			
2BR+2BA	A1m5	693	4	2,772	14	967	17%
	C1	920	4	3,680			
	C1m1	944	1	944			
	C2	907	4	3,628			
	C3	1,056	5	5,280			
TOTALS			82	58,083			100%

**BMR UNIT SELECTION, TYPE, AND SQUARE FOOTAGE**

<b>BMR UNITS</b>	<b>TYPE</b>	<b>SF</b>
205	1 Bed	720
207	1 Bed	720
302	2 Bed	907
303	1 Bed	686
405	1 Bed	687
407	1 Bed	687
417	JR 1 Bed	536

<b>Jr 1 Bed Total SF</b>	<b>1 Bed Total SF</b>	<b>2 Bed Total SF</b>
536	3,500	907
1	5	1

**Average SF of each BMR unit**

536	700	907
-----	-----	-----

**Average of each type in total**

	514	685	971
Delta in SF	66	44	62

**SCHEDULE B**  
**HUD INCOME DEFINITIONS**

1. Annual income shall be calculated with reference to 24 C.F.R. § 5.609, and includes, but is not limited to, the following:
  - a. The full amount, before any payroll deductions, of wages and salaries, overtime pay, commissions, fees, tips, bonuses and other compensation for personal services;
  - b. The net income from operations of a business or profession, before any capital expenditures but including any allowance for depreciation expense;
  - c. Interest, dividends, and other net income of any kind from real or personal property;
  - d. The full amount of periodic payments received from social security, annuities, insurance policies, retirement funds, pensions, disability or death benefits, or other similar types of periodic payments;
  - e. Payments in lieu of earnings, such as unemployment and disability compensation, worker's compensation, and severance pay;
  - f. Welfare assistance. If the welfare assistance payments include an amount specifically designated for shelter and utilities that is subject to adjustment by the welfare assistance agency in accordance with the actual cost of shelter and utilities, the amount of welfare assistance to be included as income consists of the following:
    - (1) The amount of the allowance exclusive of the amounts designated for shelter or utilities, plus
    - (2) The maximum amount that the welfare assistance agency could in fact allow the family for shelter and utilities;
  - g. Periodic and determinable allowances, such as alimony and child support payments, and regular contributions or gifts received from persons not residing with the Applicant (e.g. periodic gifts from family members, churches, or other sponsored group, even if the gifts are designated as rental or other assistance);
  - h. All regular pay, special pay and allowances of a member of the armed forces;
  - i. Any assets not earning a verifiable income shall have an imputed interest income using a current average annual savings interest rate.

2. Excluded from the definition of family annual income are the following:
  - a. Income from employment of children under the age of 18;
  - b. Payments received for the care of foster children;
  - c. Lump-sum additions to family assets, such as inheritances, insurance payments, capital gains and settlement for personal or property losses;
  - d. Amounts received that are specifically for, or in reimbursement of, the cost of medical expense for any family member;
  - e. Amounts of educational scholarships paid directly to the student or to the educational institution, and amounts paid by the government to a veteran in connection with education costs;
  - f. Amounts received under training programs funded by HUD;
  - g. Food stamps; and
  - h. Temporary, nonrecurring or sporadic income (including gifts that are not regular or periodic).
  
3. Net family assets for purposes of imputing annual income include the following:
  - a. Cash held in savings and checking accounts, safety deposit boxes, etc.;
  - b. The current market value of a trust for which any household member has an interest;
  - c. The current market value, less any outstanding loan balances of any rental property or other capital investment;
  - d. The current market value of all stocks, bonds, treasury bills, certificates of deposit and money market funds;
  - e. The current value of any individual retirement, 401K or Keogh account;
  - f. The cash value of a retirement or pension fund which the family member can withdraw without terminating employment or retiring;
  - g. Any lump-sum receipts not otherwise included in income (i.e., inheritances, capital gains, one-time lottery winnings, and settlement on insurance claims);

h. The current market value of any personal property held for investment (i.e., gems, jewelry, coin collections); and

i. Assets disposed of within two (2) years before the Application Date, but only to the extent consideration received was less than the fair market value of the asset at the time it was sold.

4. Net family assets do not include the following:

a. Necessary personal property (clothing, furniture, cars, etc.);

b. Vehicles equipped for handicapped individuals;

c. Life insurance policies;

d. Assets which are part of an active business, not including rental properties;

and

e. Assets that are not accessible to the Applicant and provide no income to the Applicant.

**SCHEDULE C  
REQUIRED DOCUMENTATION OF INCOME**

The following documents shall be provided, where applicable, to the Affordable Housing Manager to determine income eligibility:

1. **Employment Income.** Verification forms must request the employer to specify the frequency of pay, the effective date of the last pay increase, and the probability and effective date of any increase during the next twelve (12) months. Acceptable forms of verification (of which at least one must be included in the Applicant file) include:

- a. An employment verification form completed by the employer.
- b. Six check stubs or earnings statement showing Applicant's gross pay per pay period and frequency of pay.
- c. W-2 forms if the Applicant has had the same job for at least two years and pay increases can be accurately projected
- d. Notarized statements, affidavits or income tax returns signed by the Applicant describing self-employment and amount of income, or income from tips and other gratuities.

2. **Social Security, Pensions, Supplementary Security Income, Disability Income.**

- a. Benefit verification form completed by agency providing the benefits.
- b. Award or benefit notification letters prepared and signed by the authorizing agency. (Since checks or bank deposit slips show only net amounts remaining after deducting SSI or Medicare, they may be used only when award letter cannot be obtained.)
- c. If a local Social Security Administration ("SSA") office refuses to provide written verification, the Affordable Housing Manager should meet with the SSA office supervisor. If the supervisor refuses to complete the verification forms in a timely manner, the Affordable Housing Manager may accept a check or automatic deposit slip as interim verification of Social Security or SSI benefits as long as any Medicare or state health insurance withholdings are included in the annual income.

3. Unemployment Compensation.
  - a. Verification form completed by the unemployment compensation agency.
  - b. Records from unemployment office stating payment dates and amounts.
  
4. Government Assistance.
  - a. All Government Assistance Programs. Agency's written statements as to type and amount of assistance Applicant is now receiving, and any changes in assistance expected during the next twelve (12) months.
  - b. Additional Information for "As-paid" Programs: Agency's written schedule or statement that describes how the "as-paid" system works, the maximum amount the Applicant may receive for shelter and utilities and, if applicable, any factors used to ratably reduce the Applicant's grant.
  
5. Alimony or Child Support Payments.
  - a. Copy of a separation or settlement agreement or a divorce decree stating amount and type of support and payment schedules.
  - b. A letter from the person paying the support.
  - c. Copy of latest check. The date, amount, and number of the check must be documented.
  - d. Applicant's notarized statement or affidavit of amount received or that support payments are not being received and the likelihood of support payments being received in the future.
  
6. Net Income from a Business. The following documents show income for the prior years. The Affordable Housing Manager must consult with Applicant and use this data to estimate income for the next twelve (12) months.
  - a. IRS Tax Return, Form 1040, including any:
    - (1) Schedule C (Small Business)
    - (2) Schedule E (Rental Property Income)



(3) Schedule F (Farm Income)

b. An accountant's calculation of depreciation expense, computed using straight-line depreciation rules. (Required when accelerated depreciation was used on the tax return or financial statement.)

c. Audited or unaudited financial statement(s) of the business.

d. A copy of a recent loan application listing income derived from the business during the previous twelve (12) months.

e. Applicant's notarized statement or affidavit as to net income realized from the business during at least 3 previous years.

7. Recurring Gifts.

a. Notarized statement or affidavit signed by the person providing the assistance. Must give the purpose, dates and value of gifts and must be a monthly contribution.

b. Applicant's notarized statement or affidavit that provides the information above.

8. Scholarships, Grants, and Veterans Administration Benefits for Education.

a. Benefactor's written confirmation of amount of assistance, and educational institution's written confirmation of expected cost of the student's tuition, fees, books and equipment for the next twelve (12) months. To the extent the amount of assistance received is less than or equal to actual educational costs, the assistance payments will be excluded from the Applicant's gross income. Any excess will be included in income.

b. Copies of latest benefit checks, if benefits are paid directly to student. Copies of canceled checks or receipts for tuition, fees, books, and equipment, if such income and expenses are not expected to change for the next twelve (12) months.

c. Lease and receipts or bills for rent and utility costs paid by students living away from home.

9. Family Assets Currently Held. For non-liquid assets, collect enough information to determine the current cash value (i.e., the net amount the Applicant would receive if the asset were converted to cash).

a. Verification forms, letters, or documents from a financial institution, broker, etc.

b. Passbooks, checking account statements, certificates of deposit, bonds, or financial statements completed by a financial institution or broker.

c. Quotes from a stock broker or realty agent as to net amount Applicant would receive if Applicant liquidated securities or real estate.

d. Most recent real estate tax statements if tax authority uses approximate market value from property's tax assessor's office, most recent mortgage bill reflecting current balance in addition to any closing documents/projected expenses related to disbursing the asset.

e. Copies of closing documents showing the selling price, the distribution of the sales proceeds and the net amount to the borrower.

f. Appraisals of personal property held as a investment.

g. Applicant's notarized statements or signed affidavits describing assets or verifying the amount of cash held at the Applicant's home or in safe deposit boxes.

10. Assets Disposed of for Less Than Fair Market Value ("FMV") During Two Years Preceding Application Date.

a. Applicant's certification as to whether it has disposed of assets for less than FMV during the two (2) years preceding the Application Date.

b. If the Applicant states that it did dispose of assets for less than FMV, then a written statement by the Applicant must include the following:

- (1) A list of all assets disposed of for less than FMV;
- (2) The date Applicant disposed of the assets;
- (3) The amount the Applicant received; and
- (4) The market value to the asset(s) at the time of disposition.

11. Savings Account Interest Income and Dividends.

a. Most Recent 6 months of account statements, passbooks, certificates of deposit, etc., if they show enough information and are signed by the financial institution.

b. Broker's quarterly statements showing value of stocks or bonds and the earnings credited the Applicant.

c. If an IRS Form 1099 is accepted from the financial institution for prior year earnings, the Affordable Housing Manager must adjust the information to project earnings expected for the next twelve (12) months.

12. Rental Income from Property Owned by Applicant. The following, adjusted for changes expected during the next twelve (12) months, may be used:

a. IRS Form 1040 with Schedule E (Rental Income).

b. Copies of latest rent checks, leases, or utility bills.

c. Documentation of Applicant's income and expenses in renting the property (tax statements, insurance premiums, receipts for reasonable maintenance and utilities, bank statements or amortization schedule showing monthly interest expense).

d. Lessee's written statement identifying monthly payments due the Applicant and Applicant's affidavit as to net income realized.

13. Full-Time Student Status.

a. Written verification from the registrar's office or appropriate school official.

b. School records indicating enrollment for sufficient number of credits to be considered a full-time student by the school.

14. Tax Documentation

## **SCHEDULE D QUALIFICATION STANDARDS FOR PROSPECTIVE RESIDENTS**

### Fair Housing

Bedford Hall complies with the Federal Fair Housing Act. Bedford Hall does not discriminate on the basis of race, color, religion, national origin, sex, familial status or disability, or any other basis protected by applicable state, Federal or local fair housing laws.

### Applications

Each person that will occupy the apartment who is 18 years old or older must complete an application and sign the lease. Each applicant that is 18 years of age or older, and not a full time student who can be claimed as a dependent on the primary applicant's tax return, will be qualified by Bedford Hall in accordance with these qualification standards. Applications are to be completed in full. Applications containing untrue, incorrect or misleading information will be declined. Each application is evaluated with a scoring method that weighs the indicators of future rent payment performance. The score is based on statistical analysis of prior renters' indicators and subsequent payment performance. Based on the score, we may choose to accept or decline an applicant, or seek additional requirements for approving the lease. These additional requirements include an additional security deposit.

The following documentation **MUST** accompany **ALL** applications:

- Applicants must have verifiable identification and the following documentation will be required for all household members as applicable (emancipated minors presenting court appointed documentation are eligible to qualify as they meet the noted criteria):
  - Birth Certificates
  - Social Security Cards
  - Valid driver's license, age of majority card, military ID or State issued photo ID
  - Any eligible immigration documentation
  - Permanent Resident Card
  - Temporary Resident Card
  - Employment Authorization Card

### Credit History

- Credit reports will be run on each applicant and will be considered in the overall credit worthiness of the application. Unsatisfactory credit history can disqualify an applicant from renting an apartment home at this community. An unsatisfactory credit report is one that reflects past or current bad debts, late payments or unpaid bills, liens, judgments or bankruptcies. If an applicant is declined for poor credit history, the applicant will be

given the name, address and telephone number of the credit reporting agency that provided the report. An applicant declined for unsatisfactory credit is encouraged to obtain a copy of the credit report from the credit reporting agency.

Rent/Mortgage Payment History

Any legal proceedings/judgments/evictions/skips may result in a declined application.

Employment History

- Employment must be verified. In the case of new employment, applicant must present a signed offer letter on company letterhead stating income. Employment must begin within 30 days of the lease start date.
- Self-employed applicants must provide the most current annual tax return (submission of 1099's only is not sufficient) or a notarized statement from a Certified Public Accountant or attorney indicating the amount of anticipated annual income.

Income Requirements

- Gross monthly household income must be sufficient to cover the rent and other typical household obligations. Household income of less than twice the rent is automatically considered insufficient. For savings to be considered in lieu of income, applicant may provide a current savings account statement showing proof of at least three (3) times the annual rent.
- Official documentation must be submitted to support the following, and any other, sources of additional income you wish us to consider:

\*Investment Account                      \*Dividends                                      \*Child Support                                      \*Interest  
\*Retirement Income/Savings   \*Military Housing Allowance \*Trust Fund Income                      \*Alimony

Conviction Information

The application of any person who has been convicted or plead guilty or "no contest" to a misdemeanor or felony involving sexual misconduct shall be declined.

Nothing set forth in these Qualification Standards should be construed to be a guaranty by Bedford Hall that residents of this community have not been convicted or plead guilty or "no contest" to any misdemeanor or felony involving sexual misconduct.

Guarantors/Increased Security Deposits

- Guarantors may be permitted based on the applicants' score. Guarantors' gross annual income or savings must be sufficient to cover the annual rental rate in order to support their

current housing payments and that of the applicant(s). Guarantors must meet all other qualification standards listed. All lease-associated paperwork signed by Guarantor must be notarized if not signed at the Leasing Information Center in the presence of a Bedford Hall office associate.

- Increased security deposits may be permitted based on the score. The increased security deposit will be equivalent to two (2) month's rent unless otherwise dictated by law.

#### Roommates

Each resident and Guarantor is jointly and severally (fully) responsible for the entire rental payment as well as all community rules and policies. Management will not refund any part of a security deposit until the apartment is vacated by all leaseholders.

#### Affordable Housing Program/Below Market Rent Programs

Applicants for the Affordable Housing Program/Below Market Rent Program (if applicable at this community) must be qualified based on the governing authority's income classifications. The income ranges are derived from the maximum low/moderate income. Please reference the Affordable Housing Rent/Income Guidelines to determine eligibility. Affordable Housing Program/Below Market Rent Program guidelines supersede these Qualification Standards.

#### Occupancy Guidelines

Governed by state, city, and local ordinances. In the absence of any more stringent requirements by the aforementioned agencies, the standard occupancy guidelines will be a maximum of two (2) residents per bedroom. Residents under the age of 18 months will not be considered in the occupancy guidelines. An occupant will be considered a resident and must be listed on the lease agreement if they reside at the premises more than 50 percent of the time.

**NOTE:** Den/study areas are not considered bedrooms.

Initial Residents of Bedford Hall will be subject to the following income limits:

**City of Stamford Below Market Rate (BMR) Rental Program 2015**

	HUD AMI	\$127,900					
	Income Limits	1 Person	2 Person	3 Person	4 Person	5 Person	6 Person
Initial Leasing	50%	\$44,765	\$51,160	\$57,555	\$63,950	\$69,066	\$74,182

Maximum Rent Limits	50%	Junior 1 Bedroom	1 Bedroom	2 Bedroom
	Maximum Gross Rents	\$1,007	\$1,199	\$1,439
Apartment High Rise	Less Utility Allowance	\$156	\$203	\$258
	Max. Allowable Rent	\$851	\$996	\$1,181

**SCHEDULE E  
STAMFORD ZONING REGULATIONS  
BMR UNITS,  
ARTICLE III, § 7.4**

**SECTION 7.4 – BELOW MARKET RATE DWELLING UNITS**

**A. FINDINGS**

It is the public purpose and policy of the City of Stamford, the Southwestern Regional Planning Agency and the State of Connecticut to achieve a diverse and balanced community with housing available for households of all income levels. Economic diversity fosters social and environmental conditions that protect and enhance the social fabric of the City and are beneficial to the health, safety and welfare of its residents and to the environmental quality and economy of the region.

The Stamford Master Plan 2002 has documented a growing affordability gap between the supply of housing and the demand for housing. This affordability gap is driven by several broad trends including the fact that home sale prices have grown as fast or faster than household earnings, that rents in newer apartment developments are well out of reach of most low and moderate income households, and that the limited inventory of affordable market-rate apartments and condos coupled with the inventory of assisted housing units is inadequate to meet the demand for affordable housing.

A significant cause of this affordability gap and crisis in the availability of a diversity of housing opportunities is the rapid increase in employment in the City. Employment in Stamford increased by 8,000 jobs between 1980 and 1990 and is projected to add 9,000 more jobs by the year 2000 and an additional 7,700 jobs by the year 2010.

The Master Plan establishes the goal of providing decent, affordable housing for all of the residents of Stamford, whatever their economic conditions. To address the continuing loss of affordable housing, coupled with the increasing affordability gap and growing housing demand, the City of Stamford has established the goal of producing a minimum of 8,000 affordable housing units, in addition to what is currently available.

The Master Plan recommends, as a key element of a coordinated housing strategy, that the City's Zoning Regulations incorporate a mandatory inclusionary housing requirement, with appropriate incentives, consistent with established planning principles and contextual development.

The inclusionary housing program defined herein is necessary to provide continuing housing opportunities for low and moderate income households and working people. It is necessary to help maintain a diverse housing stock and to allow working people to have better access to jobs and upgrade their economic status. The regional trend toward increasing housing prices will, without intervention, result in inadequate supplies of affordable housing and will negatively impact the ability of local employers to attract and maintain an adequate work force. Because remaining opportunity for new residential development within the city is limited, it is essential that a reasonable proportion of new development be devoted to housing that is affordable to low and moderate income residents and working people.

Therefore, to implement the policies of the Master Plan, it is essential that new residential development contain housing opportunities for households of low and moderate income, and that the City provide a regulatory and incentive framework that ensures development of an adequate supply and mix of new housing to meet the future housing needs of all income segments of the community.

## **B. AUTHORITY**

These regulations are enacted under the authority of the Charter of the City of Stamford and Section 8-2(i) of the Connecticut General Statutes.

## **C. STANDARDS**

The purpose of this section is to establish uniform definitions, standards and procedures to apply in all cases where Below Market Rate (BMR) Dwelling Units are required under the terms of these Regulations. Standards for the level of affordability and the number of required BMR units and other special standards are established separately by zoning district and are stated elsewhere in these Regulations.

1.) The term "Below Market Rate Dwelling Unit" (BMR) shall be defined to be a dwelling unit restricted as to sale or rent based on the most current statistics of median family income for the



Stamford Standard Metropolitan Statistical Area (SMSA) as published and periodically revised by the U.S. Dept. of Housing and Urban Development. The criteria for pricing one-bedroom BMR units shall be the SMSA median income for families of one and one-half; two-bedroom BMR units shall be priced based on the SMSA median income for families of three persons; and three-bedroom BMR units shall be priced based on the SMSA median income for families of four and one-half persons. BMR units offered for sale shall be limited to a selling price that is affordable to a purchaser with an income not exceeding the criteria family income, according to unit type as set forth above, based on industry-standard mortgage underwriting guidelines, and based on prevailing interest rates and a ten percent (10%) down payment. BMR units offered for rent shall be restricted to a maximum annual rent, inclusive of all basic utilities except telephone, not to exceed 30% of the criteria family income, according to unit type as set forth above.

Rental restrictions shall remain in full force and effect for so long as the building or development exists, and shall be administered in accordance with written guidelines as adopted and periodically revised by the Zoning Board. BMR units offered for sale shall remain subject to resale controls for so long as the building or development exists, and shall not exceed a resale price equal to the current BMR sale price for a comparable unit, as set forth above. The allowable resale price may be reduced if the physical conditions reflect abnormal wear and tear due to neglect, abuse or insufficient maintenance. BMR sale and resale requirements shall be administered in accordance with written guidelines as adopted and periodically revised by the Zoning Board, with suitable restrictive covenants in deeds, running with the land and senior to all financing instruments, to carry out and effectuate these obligations.

**ELIGIBLE FAMILY INCOME LIMITS - YEAR 2011**

<u>AFFORDABILITY</u>	<u>FAMILY SIZE</u>					
	<u>one</u>	<u>two</u>	<u>three</u>	<u>four</u>	<u>five</u>	<u>six</u>
25% of Median	\$22,155	\$25,320	\$28,485	\$31,650	\$34,182	\$36,714
50% of Median	\$44,310	\$50,640	\$56,970	\$63,300	\$68,364	\$73,428
60% of Median	\$53,172	\$60,768	\$68,364	\$75,960	\$82,036	\$88,114

2.) Below Market Rate Dwelling Units shall be designed, constructed, sold or rented, managed and controlled as to resale in accordance with such other necessary written administrative policies, definitions and guidelines as officially adopted by the Zoning Board and/or the City of Stamford, as amended from time to time. When located within the development, such BMR units shall be constructed with floor area, finishes and amenities comparable to the market rate units within the development, and shall be reasonably distributed throughout the project and provided in a mix of unit types, as determined by the Zoning Board, provided that the average floor area of BMR units shall be comparable to the average floor area of the market rate units within the development. The Board, in its sole discretion, may approve a different number of BMR units provided that the total floor area of BMR units approved by the Board is comparable to the total floor area of the BMR units which would otherwise be required pursuant to these Regulations.

3.) Management Plan. A proposal to establish BMR units shall be accompanied by a management plan ("Affordability Plan"), subject to approval of the Zoning Board, providing all of the necessary information and documentation to ensure the construction and continued operation of affordable housing, including the following:

- i) the person or organization responsible for administering the plan, including the application procedures and screening criteria to determine the income eligibility of applicants, and reporting and enforcement mechanisms;
- ii) affirmative fair marketing procedures governing the sale or rental of the BMR units;
- iii) proposed sale or rental prices of BMR units and the basis for their determination;
- iv) identification and timetable for the completion and even distribution of the BMR units among the market-rate units in the development; and
- v) other information as may be required by the Zoning Board.

The Affordability Plan shall encourage the participation of families with Section 8 vouchers and use of other local, State and/or federal programs and initiatives to further write down the affordability of BMR units to families earning less than fifty percent (50%) of the Stamford SMSA median income or to increase the number of BMR units within the project.

4.) Alternative Methods of Compliance: Pursuant to an application for Special Exception, the Zoning Board in its sole discretion may approve alternative methods of satisfying a BMR requirement, including but not limited to the dedication of vacant land, the construction of BMR units on another site, the acquisition and enforcement of rental/sales price restrictions on existing dwelling units, or the payment of an appropriate in-lieu housing fee. Any such proposal shall demonstrate to the satisfaction of the Zoning Board that the alternative method(s) is desirable and will further affordable housing opportunities in the City to a greater extent than the provision of on-site BMR units, either through the production of a greater number of affordable housing units and/or larger bedroom size units and/or units for families below the required targeted income brackets.

(a) **Land Dedication**: a BMR requirement may be satisfied by the dedication of land within the City in-lieu of providing affordable housing on-site. The value of land to be dedicated shall be determined by an independent appraiser, at the cost of the developer, who shall be selected from a list of certified appraisers provided by the City, or by such alternative means of valuation mutually acceptable to the developer and the City. The land to be dedicated shall have a value equal or greater than the fee-in-lieu contribution that would otherwise be required to satisfy the BMR requirement. In addition, the land must be of suitable character and location, and zoned to allow construction of a number of dwelling units equal or greater than the number of BMR units being satisfied.

(b) **Dedication of Existing Units**: a BMR requirement may be satisfied by restricting the rental or sale price of existing dwelling units within the City, through covenants, contractual arrangements, or resale restrictions, the form and content of which are

acceptable to the Zoning Board. The restriction of such existing units must result in the creation of units that are equivalent in value, quality, and size as compared to the on-site BMR units that would otherwise be constructed.

(c) Off-Site Construction of BMR Units: a BMR requirement may be satisfied through the off-site construction or substantial rehabilitation of BMR dwelling units within the City of Stamford, subject to the following standards: (i) the location, architectural design and siting of such units shall be subject to approval by the Zoning Board; (ii) such units shall not serve to displace existing affordable housing units; (iii) off-site BMR units shall be generally consistent with all applicable standards of this section, including but not limited to, value, quality and size of on-site units that would otherwise be constructed; (iv) the Board shall condition the issuance of certificates of occupancy for the development project with the completion of the off-site affordable units and/or establish other reasonable performance conditions necessary to insure that the off-site BMR units will be built in a timely manner.

(d) Fee-in Lieu Payment: a BMR requirement may be satisfied, in whole or in part, through the payment of a “fee-in-lieu” cash contribution to a City of Stamford fund, or other approved non-profit or for-profit organization dedicated to affordable housing initiatives. Notwithstanding any other provisions of this Section 7.4 to the contrary, the cash contribution shall be determined based on the number of BMR units otherwise required to be constructed on-site and the current SMSA median household income for a family of four persons, and the following criteria for each of three required affordable income ranges: BMR units affordable at the 25% of SMSA family income level shall require a cash contribution not less than 240% of the SMSA median income; BMR units affordable at the 50% of SMSA median family income level shall require a cash contribution not less than 145% of the SMSA median income; and BMR units affordable at the 60% of SMSA median family income level shall require a cash contribution not less than 110% of the SMSA median income. Where the contribution is targeted to assist an identified off-site project providing affordable housing, the Board shall condition the issuance of certificates of occupancy for the development project with the completion of the off-site affordable units and/or establish other reasonable performance conditions necessary to insure that the off-site BMR units will be built in a timely manner. (205-11) (209-08)

#### CALCULATION OF CASH PAYMENT, 50% AMI – YEAR 2011

2011 Median Income, Family of Four = \$126,600  
Cash Payment = 145% x \$126,600 = \$183,570

(e) Other Equivalent Actions: a BMR requirement may be satisfied through other in-lieu contributions and efforts that, in the discretion of the Zoning Board, are judged to have a value that is equal or greater than the “fee-in-lieu” cash contribution otherwise required and will further the affordable housing goals and purposes of this section. (203-08)

(f) The Zoning Board may approve on-site or off-site BMR units at affordability levels ranging from 25% to 80% of the Area Median Income (AMI), in order to increase the opportunity and

range of family incomes served by the BMR program. Subject to approval by the Board, the number of required BMR units affordable at 50% AMI may be substituted using the following approximate ratios (209-09):

One (1) BMR unit at 25% AMI equals 1.70 units at 50% AMI

One (1) BMR unit at 60% AMI equals 0.75 units at 50% AMI; and

One (1) BMR unit at 80% AMI equals 0.40 units at 50% AMI.

## **SCHEDULE F GUIDELINES FOR MANAGEMENT OF BELOW-MARKET-RATE RENTAL UNITS**

### **I. Introduction**

In order to promote the development of housing affordable to persons and families of low and moderate income, the Zoning Board of the City of Stamford (the Zoning Board or Zoning), as a condition of development, may require developers of market rate rental housing units to set-aside Below Market Rate units within their developments, or to provide Below Market Rate units at another site.

### **II. General Intent**

In compliance with applicable law including, but not limited to, the Connecticut and Federal Fair Housing Acts, these Guidelines set forth standardized compliance procedures for developing and managing all Below Market Rate rental units (BMR) required to have been built as a condition of development in Stamford. Should any section of these Guidelines be invalidated, such invalidated section shall be deemed severable, and the remaining Guidelines shall remain in effect.

Notwithstanding the fact that individual developments can be subject to project-specific conditions, the following general principles shall apply to all BMR's that fall within the jurisdiction of these Guidelines.

- BMR units shall not be materially different from market rate units in the same development in terms of size, amenities, services, utilities, maintenance standards or any other aspect that will materially affect the value of the unit to a tenant, except as specified in these Guidelines;
- Prior to receiving a Certificate of Occupancy, the owner of any development subject to a BMR requirement as a condition of development must record an Affordability Plan approved by the Zoning Board on the Stamford Land Records.

### **III. Affordability Plans**

**No Affordability Plan will be approved unless, at a minimum, it:**

- Identifies the BMR units;
- Evidences that BMR units have been distributed throughout the development;
- Designates an entity responsible BMR Management, as defined herein;
- Notwithstanding the foregoing, the Affordability Plan shall acknowledge the City's intent and right to designate an Affordable Housing Manager (AHM), either an individual or organization, to manage a citywide BMR program and shall state the owner's agreement to pay reasonable compensation to the AHM and to fully delegate BMR Management to the AHM, including such additional activities as required to ensure an orderly transition;
- Describes any credit and reference standards employed in tenant selection and certifies that these standards will be uniform with respect to market rate and BMR applicants;
- Describes any site-specific requirements that may impact the management of BMR units; and
- States a commitment to provide affordable housing in compliance with these Guidelines, the zoning regulations, and the ordinances of the City of Stamford, as each may be amended from time to time.

### **IV. BMR Management**

For the purposes of these Guidelines, BMR Management shall include the following activities as specified in these Guidelines:

- Marketing the availability of BMR units to the public if there are not sufficient applicants on a waiting list to fill anticipated vacancies;
- Accepting applications from the public for BMR dwelling units;
- Determining the eligibility of those applicants;
- Implementing tenant-selection preferences;
- Maintaining waiting lists for BMR units;
- Selecting eligible tenants for BMR units;
- Performing annual recertification of tenant eligibility;
- Ensuring that rents are set in accordance with these Guidelines;
- Ensuring that amenities are provided in accordance with these Guidelines;
- Implementing procedures for changes in tenant circumstances;
- Monitoring owner compliance with these Guidelines and the approved Affordability Plan;
- Providing at least annual reports of activities, program compliance, and program finances as requested by the Zoning Board.

The Zoning Board may appoint an Affordable Housing Manager (AHM) to implement these Guidelines. In the event that no AHM has been appointed, the entity designated in the approved Affordability Plan will be responsible for BMR Management. Oversight of the abovementioned activities will be undertaken by the Director of Public Safety, Health and Welfare.

**V. Applications**

Applications shall be accepted from the public for BMR housing units except if the waiting list for any particular size unit cannot reasonably be expected to be housed within 2 years.

An application shall be complete once it contains sufficient documentation to verify preferences and income eligibility, provided that a reasonable opportunity will be provided to applicants to produce additional documentation.

In the event that a prospective applicant is unable to apply because a waiting list is closed, information will be provided about how the next opening of the waiting list will be publicized and any other relevant information about the application process.

**VI. Eligibility – Household Size**

Eligibility for each class of BMR units shall be based on household size or other factors. Typical eligibility will be as follows:

- A household consisting of two or fewer individuals may be eligible for a one-bedroom BMR unit.
- A household consisting of three or four persons may be eligible for a two-bedroom BMR unit.
- A household consisting of four or more persons may be eligible for a three-bedroom BMR unit.

No household shall occupy a BMR unit with more bedrooms than the household has numbers. For example, a household consisting of two individuals shall not be eligible to occupy a BMR unit with more than 2 bedrooms.

Notwithstanding these general Guidelines, any documented special needs of household members, any particular household configuration, and income-eligibility may be considered by the AHM when determining the appropriate class of BMR unit.

**VII. Eligibility -- Income**

Eligibility at the time of application, at the time of initial leasing, and during occupancy of any BMR unit shall be determined based on the most current statistics of Area Median Income (AMI) for the Stamford Standard Metropolitan Statistical Area (SMSA) as published and periodically revised by the U.S. Department of Housing and Urban Development (HUD).

**Income limits (Maximum):** The income of a household at the time of initial occupancy in a BMR unit shall not exceed the AMI, adjusted for household size, times the affordability percentage specified in the zoning regulations and the Affordability Plan. If no income limits are specified in the applicable zoning regulations, the HUD Low-Income standard, as annually published by that agency, shall be used. The income of an applicant household seeking to be

placed on the waiting list for a BMR unit shall not exceed the AMI, adjusted for household size, times 60%.

**Minimum income:** The income of a household at the time of initial occupancy must be at least three times the annual rent

**Gross Income** means the total annual income from all sources of all members of the household except income received by a family household member (other than the head of household or spouse) who is under 18 years old or a full-time student of any age. Income includes but is not limited to compensation for employment services, interest, dividends, rent, pension benefits, government benefits, unemployment compensation, welfare payments, disability income, support payments, and return-on-assets income as defined below.

**Return-on-Assets Income** shall include the dollar amount resulting from multiplying the value of the net household assets by 10% after excluding the first \$5,000 in assets.

**Net Household Assets** means the total value of equity in real property, including gains from the sale of real property, savings and other forms of capital investment of all household members, but not including equity in a business operation where that business operation is the principal means of support of the household, amounts in an irrevocable trust fund or the value of personal property (e.g., car, furniture, etc.)

For holders of Section 8 Vouchers or certificates or other similar instrument of governmental housing subsidy, or in the case of project-based Section 8, minimum income will be calculated based on the Net Rent less the amount of assistance provided under the relevant program.

The appendix to these Guidelines shows income limits and sample rents. This appendix will be updated at least annually by the Director of Public Safety, Health & Welfare.

### VIII. Preferences

In determining eligibility of applicants for placement in BMR units, any preferences or other criteria included in the Zoning Regulations for the relevant zoning district, or any special exception or other conditional approval by the Zoning Board, shall be implemented.

### IX. Waiting List

At the time of initial leasing of BMR units, or when an insufficient number of applicants is available on an existing waiting list, an affirmative marketing effort should be undertaken to publicize the availability of BMR units, the process for application, and the waiting list system.

If there are more eligible applicants for any class of BMR units (i.e. one-bedroom) than there are units, a waiting list for that class shall be established. The AHM may utilize a lottery or time-of-application system to determine waiting list order. Eligible applicants shall be placed on the waiting list for the appropriate class of apartment and shall be ordered by the results of a lottery or time-of-application system.

An applicant may refuse an available appropriate BMR unit one time and remain on the waiting list. Upon a second refusal, the applicant will be removed from the waiting list. Applicants shall be notified of their options with regard to refusing a unit at the time that a unit is offered.

Based on the annual determination of eligibility, ineligible applicants shall be removed from the waiting list. Such applicants shall be notified by certified mail at least 5 working days prior to such removal.

**X. Credit and Reference Checks**

Prior to occupancy in a BMR unit, an eligible applicant may be required by the owner to meet specific credit and reference standards, as included in the Affordability Plan for the relevant development and approved by the Zoning Board.

**XI. Rents**

The monthly net rents charged for BMR units shall be calculated as follows: The BMR rent for a one-bedroom BMR unit shall be based on the AMI adjusted for a household size of 1.5 (75% of AMI). The BMR rent for a two-bedroom BMR unit shall be based on the AMI adjusted for a household size of 3 (90% of AMI). The BMR rent for a three-bedroom BMR unit shall be based on the AMI adjusted for a household size of 4.5 (104% of AMI). The monthly gross rent shall be equal to the appropriate AMI, times the affordability level of the BMR unit, divided by twelve, multiplied by 0.3. If any utilities are separately billed throughout the development, a utility allowance must be deducted from the gross rent to determine the net rent. Utility allowances shall be the Section 8 utility allowances determined annually by the Housing Authority of the City of Stamford. A schedule of BMR rents shall be made available by the City of Stamford and updated regularly.

**XII. Amenities**

Rents for BMR units are net rents that include all amenities, whether provided free of charge or bundled in a mandatory package, including one parking space, but not including telephone, cable television, or other telecommunications services.

**XIII. Changes in Tenant Circumstances**

In the event that a tenant's income increases beyond the income limit for the BMR unit, based on annual recertification of income, the following restrictions shall apply:

- If a tenant's income exceeds the income limit for the BMR unit by less than 10 percentage points (i.e. a tenant at 59% of AMI in a BMR unit designated for a household at 50% of AMI), no restrictions shall apply.



- If a tenant's income exceeds the income limit for the BMR unit by 10 percentage points or more but still has income below 80% of the Area Median Income (i.e. a tenant at 60% to 79% of AMI in a BMR unit designated for a household at 50% of AMI), The tenant will be able to occupy the unit for no more than one year following the recertification. However, if the tenant's income remains below 50% of AMI (i.e. in the case of a tenant with income at 45% of AMI in a BMR unit designated for a household at 25% of AMI), the tenant shall be permitted to remain in the unit until a BMR unit at the appropriate affordability level is available.
- If a tenant's income exceeds 80% of the AMI at an annual recertification, that tenant shall be notified in writing that they will no longer be eligible to occupy BMR unit and that within 90 days after such recertification, the tenant must vacate the unit.

If a tenant in a BMR unit experiences an increase in household size, they may be placed at the top of the waiting list for an appropriate sized BMR unit.

**XIV. Annual Rent Changes**

At the annual income recertification for each tenant, the rent for each BMR unit will be set based on the latest rents set by the City of Stamford and utility allowances released by HACS.

**XV. Security Deposits**

Tenants in BMR units shall be responsible for paying security deposits. Owners of BMR units shall not charge more than 2-times the monthly rent for the BMR unit as a security deposit. The AHM shall advise all applicants on the waiting lists of this requirement.

**Appendix**

**Sample Income Guidelines and Below Market Rents: effective September, 2001**

Unit size:	1 BR	1 BR	2 BR	2 BR	3 BR	3 BR
Household size:	1	2	3	4	4	5
<i>25% of AMI</i>						
Maximum Income:	19,215	21,960	24,705	27,450	27,450	29,646
Minimum income:	13,152	13,152	15,368	15,368	17,262	17,262
<i>50% of AMI</i>						
Maximum Income:	38,430	43,920	49,410	54,900	54,900	59,292
Minimum income:	31,868	31,868	37,827	37,827	43,215	43,215
<i>60% of AMI</i>						
Maximum Income:	46,116	52,704	59,292	65,880	65,880	71,150
Minimum income:	39,355	39,355	46,811	46,811	53,596	53,596
<i>HUD Low-Income:</i>						
Maximum Income:	43,200	49,350	55,500	61,700	61,700	66,600
Minimum income:	31,868	31,868	37,827	37,827	43,215	43,215
Affordable Net Rents	1 BR	2 BR	3 BR			
25%	362	423	475			
50%	876	1,040	1,188			
60%	1,082	1,287	1,474			
Utility Allowance	153	195	239			

**Note: The US Department of Housing and Urban Development (HUD) provides updates to area median income estimates each spring. Utility allowances are calculated based on a schedule determined by the Housing Authority of the City of Stamford and updated annually.**

---

· The HUD Low-Income standard shall be used to determine maximum income for tenants in BMR units developed in the PD zoning district.

**SCHEDULE G  
REGULATIONS OF CONNECTICUT  
STATE AGENCIES §§ 8-37ee-300 et. seq.  
AFFIRMATIVE FAIR HOUSING MARKETING GUIDELINES**

**REGULATIONS OF CONNECTICUT STATE AGENCIES  
TITLE 8. HOUSING  
DEPARTMENT OF HOUSING  
(1)  
AFFIRMATIVE FAIR HOUSING MARKETING AND  
SELECTION PROCEDURES MANUAL**

*The Connecticut Regulations titles are current with material published in Conn.L.J. through 2/1/05.*

**Sec. 8-37ee-300. General information**

(a) This manual should be used in conjunction with the Fair Housing regulations under Section 8-37ee-1 through Section 8-37ee-17 of the Regulations of Connecticut State Agencies, and the instructions accompanying the Affirmative Fair Housing Market Form included in this manual.

(b) The purpose of this manual is to assist recipients of state financial assistance from the department in understanding what shall be required of them, as well as to further implement the provisions of Section 8-37ee-1 through Section 8-37ee-17 of the Regulations of Connecticut State Agencies.

(c) The Affirmative Fair Housing Marketing Plan shall be submitted on the form, and in the manner, prescribed by the department. The plan shall include all of the techniques which recipients intend to employ to assure that marketing is broad-based and that prospective buyers and/or renters of varied income groups, including persons with physical disabilities would feel welcome to apply. At least twenty percent (20%) of the units shall be promoted to the "least likely to apply" group.

**Sec. 8-37ee-301. Definitions**

All terms defined in Section 8-37ee-1 of the Regulations of Connecticut State Agencies shall have the meanings set forth there.

The following apply to Section 8-37ee-300 through Section 8-37ee-314 of the Regulations of Connecticut State Agencies:

(1) "Least likely to apply" means those persons who, in the main, do not live in the area of the development because of racial or ethnic patterns, perceived community attitudes, price or other factor, and thus need additional outreach to inform them

of their opportunity to live in the development. In predominantly white areas, these shall be minority groups; in predominantly minority areas, these shall be white groups.

(2) "Recipient" means a person, organization or individual who applies or may receive state financial assistance from the department.

(3) "Resident" means a person, including an applicant, living or working in the municipality in which the housing is located. Durational residency requirements are not permitted.

### **Sec. 8-37ee-302. Affirmative fair housing marketing process**

#### **(a) Assessing Affirmative Marketing Needs**

Recipient plans shall identify the group(s) "least likely to apply" to the housing through the submission of relevant demographic data. Data may be derived from the U.S. Census, municipal sources, regional planning agencies, civil rights groups, fair housing officers, social service agencies, and like organizations. Source documentation shall be clearly identified.

#### **(b) Affirmative Marketing Outreach**

(1) Mechanisms--Recipients' plans shall determine and identify the most appropriate outreach mechanisms which should include: newspaper, radio, television, and other media advertisements as well as flyers and announcements to social service agencies and other organizations with the desire and capacity to inform potential applicants of the availability of housing. These mechanisms or organizations shall represent those most likely to be read, heard, seen by, or in contact with applicants least likely to apply.

(2) Locale--Recipients' plans shall provide for the dissemination of information at a minimum in (a) the largest city located in the nearest Primary Metropolitan Statistical Area or Areas or Metropolitan Statistical Area or Areas, (b) the regional planning area, and (c) any other areas which are likely to contain high minority populations and where public transportation or public highways and/or job availability make it likely that minorities might wish to move where the development is located.

(3) Time frame--Recipients' plans shall identify the time frame, duration, and frequency of the materials to be announced or distributed. At a minimum affirmative fair housing marketing shall begin prior to general marketing. There shall be at least three (3) documented efforts with updated materials as necessary: the first at the beginning of construction; the second at approximately 50 percent completion; and the final, six to eight weeks prior to completion.

(4) Notice of Intent to Begin Marketing--Recipients are required to give notice to the department no later than 60 days prior to engaging in sales or rental marketing activities.

(5) Prominence--Recipients' plans shall provide that any materials shall be prominently displayed or appear where they are most likely to be read or seen, e.g. not in the "legal notices" section of the paper but in more prominent ads.

(6) Content--Recipients' plans shall identify the content of the materials to be used which at a minimum shall: (a) identify the location of the housing; (b) provide a narrative description of the housing; (c) identify when the application process shall begin and end; (d) be neutral in the sense of encouraging all potentially eligible applicants to apply; (e) include a contact person and telephone number; (f) display the fair housing logo and clearly state the owner's commitment to Fair Housing and non-discrimination; (g) where relevant, be provided in both English and Spanish; (h) where there is any advertising depicting persons, depict persons of both sexes and persons of majority and minority groups; (i) describe the application and selection process as stated in Section 8-37ee-304 and Section 8-37ee-305 of these regulations; and (j) include the fair housing policy statement as stated in Section 8-37ee-311 below.

(7) Community contacts--Recipients' plans shall identify community contacts which shall include individuals and organizations that are well known in the area who can reach and assist those least likely to apply. These may include church groups, housing counseling groups, legal services organizations, labor unions, minority and women's organizations, shelters, social service agencies, housing authorities, and town officials. Each of these entities shall receive appropriate materials as described in subsection (5) with additional instructions, if necessary.

(8) Counseling and application assistance--Recipients' plans shall provide that either the contact person or a housing counseling organization, fair housing officer, or other similar party is trained in fair housing and its requirements and is ready and willing to assist all applicants including the least likely to apply with the application process.

(9) Follow-up--Recipients' plans shall provide for follow-up meetings or telephonic reports from the various outreach organizations listed in subsection (7) in order to evaluate the effectiveness of the affirmative marketing. Where organizations determine that few potential applicants are displaying an interest, alternative approaches should be considered.

(10) Public inspection--Recipient approved plans shall be available for public inspection.

### **Sec. 8-37ee-303. Application process**

(a) The application period shall extend for at least 60 days before initial occupancy. An application deadline shall be established when all applications shall be completed and returned. Applications received after the deadline shall not be considered unless there is: (1) an insufficient number of initial applicants; and/or (2) the department determines that more affirmative marketing is necessary.

(b) Recipients shall use a standard application form furnished by the department included in this manual.

(c) Anyone seeking to apply shall be given the opportunity to do so.

(d) Anyone needing help in filling out the forms shall be assisted.

(e) Each application received shall be immediately dated and time stamped. Each applicant shall be given a receipt with the date and time on it.

(f) Each applicant shall have a control number assigned in chronological order.

(g) A file shall be opened for each applicant. The file shall remain confidential information.

(h) Selection shall occur at least thirty (30) days before scheduled occupancy to prevent vacancies.

#### **Sec. 8-37ee-304. Selection process**

(a) Recipients should develop a written selection plan which covers the tenant selection process they intend to use. Such plan should include, at a minimum, the following:

(1) Procedures for accepting applications and screening applicants;

(2) Fair housing requirements;

(3) When applicants may be rejected; and

(4) Procedures for selecting applicants from the waiting list(s).

(b) At a minimum, the following factors shall be used to screen applicants:

(1) demonstrated ability to pay rent on time;

(2) housekeeping habits based on visits to the applicant's current residence;

(3) comments from former landlords; endorsement from at least two is preferred; and

(4) Credit checks may be obtained. These may be useful when no rental payment history is available. A lack of credit history, as opposed to a poor credit history, is not sufficient grounds to reject an applicant. Recipients should try to obtain all credit checks, landlord and personal references and so forth before the interview so that if negative information is received the applicant shall be given the opportunity to explain the circumstances.

(c) Recipients shall also prepare one Occupant Selection List which shall be subdivided by the number of units available and bedroom size. The following guidelines shall be used to determine minimum and maximum housing capacity:

Bedroom Size	Minimum	Maximum
00 (single room occupancy)	1	1
0 (efficiency unit)	1	1
1	1	2
2	2	4
3	3	6
4	5	8

**Sec. 8-37ee-305. Selection methodology**

(a) For purposes of fairness and equity the department allows either a point system or a purely random lottery selection method. However, if there is a tie score under the point system method and there is a limited number of units available for persons with the same point score, the random selection method or first come, first serve (chronological order) shall be used in conjunction with the point system to select which applicant gets the unit.

**(b) Point System Selection Method**

(1) Point systems may be altered by the Commissioner to comply with fair housing goals. Where a program dictates other kinds of requirements, e.g. limited equity cooperatives may look for participants willing to put in sweat equity, points for such neutral categories may be added with the approval of the Commissioner.

(A) Calculation of Points--The applicant receives the full point score or none; subjective practical scoring is not allowed. Where department program requirements mandate selection criteria such as age, income, etc., applicants shall first meet that standard. Where an applicant does not meet the program requirements, the applicant may be rejected without further analysis.

(2) The following is the Department's approved point system that recipients shall use.

**POINT SYSTEM METHOD**

- (i) **SUBSTANDARD HOUSING** 25 point maximum
- condemned or verified  
serious housing code  
violations 25 points

	inadequate heating, plumbing, or cooking facilities	20 points
(ii)	<b>LIVING SITUATION</b>	25 point maximum
	living in documented physically or emotionally abusive situation	25 points
	living in a shelter or transitional housing	25 points
	living in temporary housing with others because of conditions beyond applicant's control (condemnation, foreclosure, fire, loss of job, etc.)	20 points
	living in overcrowded conditions in own housing unit (e.g. 1.5 persons per room)	15 points
(iii)	<b>INCOME/RENT RATIO</b>	15 point maximum
	currently paying more than 50% of income for rent or housing	15 points
	currently paying between 31-50% of income for rent/housing	10 points
(iv)	<b>(OPTIONAL) RESIDENT OR LEAST LIKELY TO APPLY APPLICANT</b>	10 points

(a) If this resident selection category is used, the 10 points shall be awarded to both residents and least likely to apply applicants. However, if the owner chooses, more points may be awarded to the least likely to apply applicants (e.g. 15, 20, 25 points, etc.).

(3) Points shall be added up for each applicant. The department recommends that the recipient create a pool of candidates with the highest score and which exceed the number of available units by bedroom size by at least three times. Applicants shall be selected by a lottery.



(4) If the number of applicants does not exceed the number of available units by bedroom size by at least three times applicants may be selected on a first come first serve basis.

(c) Random Selection Method--Lottery

If recipients select the random selection method the factors they shall use in determining selection shall include:

(1) Determining the income eligibility of all applicants;

(2) Pre-screening/interviewing for credit worthiness and other reasonable common rental or ownership criteria; and for verification of applicant information.

(3) Putting all applicants with favorable interviews, that is, having no ground for disqualification based on subsection (e) of this section, back in the pool and choosing by a lottery system.

(d) Interview or Home Visit

(1) Ideally all applicants meeting income guidelines should be interviewed. When a large number of applicants apply, recipients may conduct interviews and/or home visits with only those who meet the minimum threshold point score, so long as the number of interviewees significantly exceeds the number of available units.

(2) The interview should be used for purposes of verifying and clarifying information in the application as well as exploring the ability and willingness of the applicant to meet financial commitments and to assume the other responsibilities of tenancy or ownership. Points should not be added or subtracted as a result of the home visit and interview unless information on the application was erroneous.

(e) Grounds for disqualification

(1) Applicants may be disqualified from final selection upon documentary verification of any of the following: (A) the applicant or any member of the applicant's household has a history of disturbing neighbors, destroying property, or living or housekeeping habits which would substantially interfere with the health, safety, or peaceful enjoyment of other residents; (B) the applicant has a history of rental nonpayment within the past 12 months without reasonable justification (justification might be: substandard housing, loss of a job, etc.); (C) the applicant has knowingly falsified information in the application process; or (D) the applicant cannot demonstrate an ability to pay the base rent.

(2) Applicants deemed ineligible, for whatever reason(s), shall be notified in writing, before the final selection, of the reason(s) for rejection and their right to appeal within ten days of the rejection. Recipients should inform applicants that an appeal should be made immediately to assure their return to the applicant pool if they prevail. An impartial hearing officer shall be

chosen by the recipient who shall issue a written opinion within five days of the hearing. All appeals should be heard within five days of the request.

(3) Applicants still aggrieved shall be informed of their right to appeal the decision of the hearing officer to the department's affirmative action office. Such appeal shall be made in writing, and brought within ten days of the adverse decision.

(4) Recipients shall keep the following materials on file for at least three years: (1) application; (2) initial rejection notice; (3) any applicant reply; (4) the recipient's final response; and (5) all interview and verified information on which the rejection was based.

#### **Sec. 8-37ee-306. Insufficient number of least likely to apply applicants**

(a) If the Affirmative Action Office finds, at any stage, that there is an insufficient amount of least likely to apply candidates due to a lack of good faith affirmative fair marketing it shall have the right to require additional outreach until such time as a sufficient effort has been expended or a sufficient number of applicants is available. Such additional outreach may delay the occupancy of units.

(b) Where the department determines that good faith efforts have been made to recruit applicants who are least likely to apply and there is still an insufficient number of eligible applicants, recipients shall be given permission to rent or sell units to other eligible applicants.

(c) The department's determination of the owner's good faith efforts shall include, but not be limited to: substantiating that the outreach which it stated in its Affirmative Fair Housing Marketing Plan was actually completed; that such efforts met time and durational requirements; that the marketing approach was amended or enhanced when found deficient; and that there were particular local, regional, and/or market reasons for the failure of the Affirmative Fair Housing Marketing Plan to attract a sufficient pool of applicants who are least likely to apply. The owner shall develop and maintain adequate documentation in a manner prescribed by the department of its good faith efforts.

#### **Sec. 8-37ee-307. Post occupancy requirements**

(a) Following the initial lease-up or sales, recipients shall continue to affirmatively market to those least likely to apply for the life of the mortgage, assistance agreement or regulatory agreement, whichever is longer. Recipients shall make every good faith effort to maintain a racially and economically integrated housing development.

(b) Recipients should schedule application periods as in the initial lease-up or sales at reasonable intervals. Such application periods shall have a deadline and new applicants shall be chosen as in the initial selection system. Prospective applicants shall only be considered during this application period. Where point systems are used, new applicants with higher points may

not displace previous waiting list applicants unless the waiting lists have been reviewed and updated.

(c) The department shall require annual updates on whether recipient affirmative fair marketing goals have been met and whether recipients have been able to sustain their goals. Upon review of the information the department may require remedial action where it is deemed necessary. Records of all affirmative fair marketing, tenant selection, and waiting lists should be retained for at least five years or as set forth in the Assistance or Regulatory Agreement with the Department.

(d) Recipients may be monitored on a yearly basis for compliance with the fair housing requirements stated herein and may be subject to random on site monitoring.

**Sec. 8-37ee-308. [Reserved.]**

**Sec. 8-37ee-309. Recipient training**

Prior to any disbursement of financial assistance recipients shall be required to attend a seminar on implementing the department's Fair Housing regulations. Recipients are encouraged to attend other fair housing forums and participate in fair housing events. All recipient employees and agents shall be informed, in writing, and orally, of fair housing requirements.

**Sec. 8-37ee-310. Affirmative marketing for other grantees**

Recipients who are not producing housing shall affirmatively market their programs so that a broad range of majority and minority beneficiaries are encouraged to apply for whatever assistance is provided. Outreach should comply with the Affirmative Fair Housing Marketing Plan Guidelines.

**Sec. 8-37ee-311. Fair housing policy statement and publicity**

(a) Any recipient, including but not limited to sponsors of housing, technical assistance organizations, and subcontractors, shall adopt a fair housing statement prior to the receipt of department funds which shall include the following:

(1) Recipient's commitment to promote Fair Housing choice and not to discriminate against any person as prohibited in General Statutes 46a-64c as amended. Protected classes include: race, creed, color, national origin, ancestry, sex, marital status, age, lawful source of income, familial status, physical or mental disability, or sexual orientation. The provisions of 46a-64c should be specifically included in the pledge.

(2) Recipient's commitment to promote racial and economic integration in any housing developed or supported with department funds being sought or recipient's commitment to seek beneficiaries from all racial and ethnic groups as well as the physically and mentally handicapped and families with children, and to seek a broad range of income eligible beneficiaries, whichever provision is relevant to the kinds of services provided by the grantee.

(3) Identifies the person assigned Fair Housing responsibilities by name, position, address, and telephone.

(4) Includes a discrimination complaint procedure which shall be disseminated to applicants and posted.

(5) Is revised as needed.

(6) States how the policy shall be disseminated.

(7) Is signed by the Board President, CEO, or other comparable party.

(b) Before dissemination the policy shall be approved by the department. The policy shall be prominently posted in the recipient's offices and also on the site where building or rehabilitation is taking place.

(c) Recipients shall prominently display in all offices, in printed materials, and on housing sites fair housing posters and/or the fair housing logo which may be obtained from the department's affirmative action office.

#### **Sec. 8-37ee-312. Modification of requirements**

(a) Where another program funding requires stricter fair housing requirements, upon approval of the department those shall be followed.

(b) Where federal sources are also funding the housing, federal fair housing requirements, as well as these shall be adhered to.

(c) Where the department is funding minor rehabilitation, these requirements may be adjusted as determined by the department.

**Sec. 8-37ee-314. Fair housing compliance for existing state assisted units**

(a) Each owner of five or more state assisted housing units shall develop an affirmative fair housing marketing plan for each such development as described in Section 8-37ee-302, and selection procedures as described in Section 8-37ee-304 of these regulations.

(b) Each owner of state assisted housing shall evaluate its waiting list for each development to determine whether or not the waiting list provides for racial and economic diversity as required by Public Act 91-362.

(c) If there are either insufficient families who are least likely to apply on the list or near the top of the list such that they might be housed within the next year, then the units shall be affirmatively fair marketed.

(d) Eligible applicants currently on the waiting list may not be removed from such list unless duly purged. However, once any additions are to be made to the list, all requirements of this manual shall apply to the new applicants.

(e) Owners of currently assisted state housing shall be expected to comply with all other requirements of this manual within a reasonable time after its effective date and, at a maximum, within one year of such date.

## **AFFIRMATIVE FAIR HOUSING MARKETING PLAN**

### **TIME FRAMES/PHASES**

For recipient's convenience, please find below, an outline of the Affirmative Fair Housing Marketing Plan time frames/phases.

#### **PRE-APPLICATION/APPLICATION PHASE**

(a) A pre-application briefing is held at the department before the application for funding is submitted.

(b) The affirmative fair housing marketing plan (plan) and selection procedures (procedures) are submitted with the funding application. They are reviewed and approved or returned for resubmission. They shall be approved before the final application is approved by the department.

(c) Any modifications made to the plan and/or procedures shall be submitted for approval.

#### **MARKETING PHASE**

(a) 60 days prior to affirmative fair housing marketing (which shall begin prior to general marketing), a Notification of Intent to Begin Marketing shall be submitted to the department.

(b) The plan and procedures are reviewed and a preoccupancy conference may be scheduled.

(c) Affirmative fair housing marketing begins at the start of construction.

(d) A second such marketing effort takes place at 50 percent completion.

(e) Final fair housing marketing occurs 6-8 weeks prior to completion.

(f) If inadequate numbers of "least likely to apply" candidates are applying, recipients should reassess outreach mechanisms.

#### **APPLICATION PHASE**

(a) The time for receipt of all applications shall extend for at least 90 days.

(b) Reports to the department regarding racial and economic make-up shall be submitted:

(1) After the application period ends

(2) After pre-screening is completed

(3) After final selection

#### POST OCCUPANCY PHASE

(a) Affirmative fair housing marketing and selection procedures shall be continued for the life of the project.

(b) Yearly updates on meeting and sustaining goals shall be required.

(c) The department may randomly monitor housing to assure continuing compliance.

(d) If at any time the department determines that there are insufficient "least likely to apply" applicants or occupants due to the lack of a good faith effort on the part of the recipient, further outreach and/or a Compliance Meeting may be required.

Reviewed and approved by:

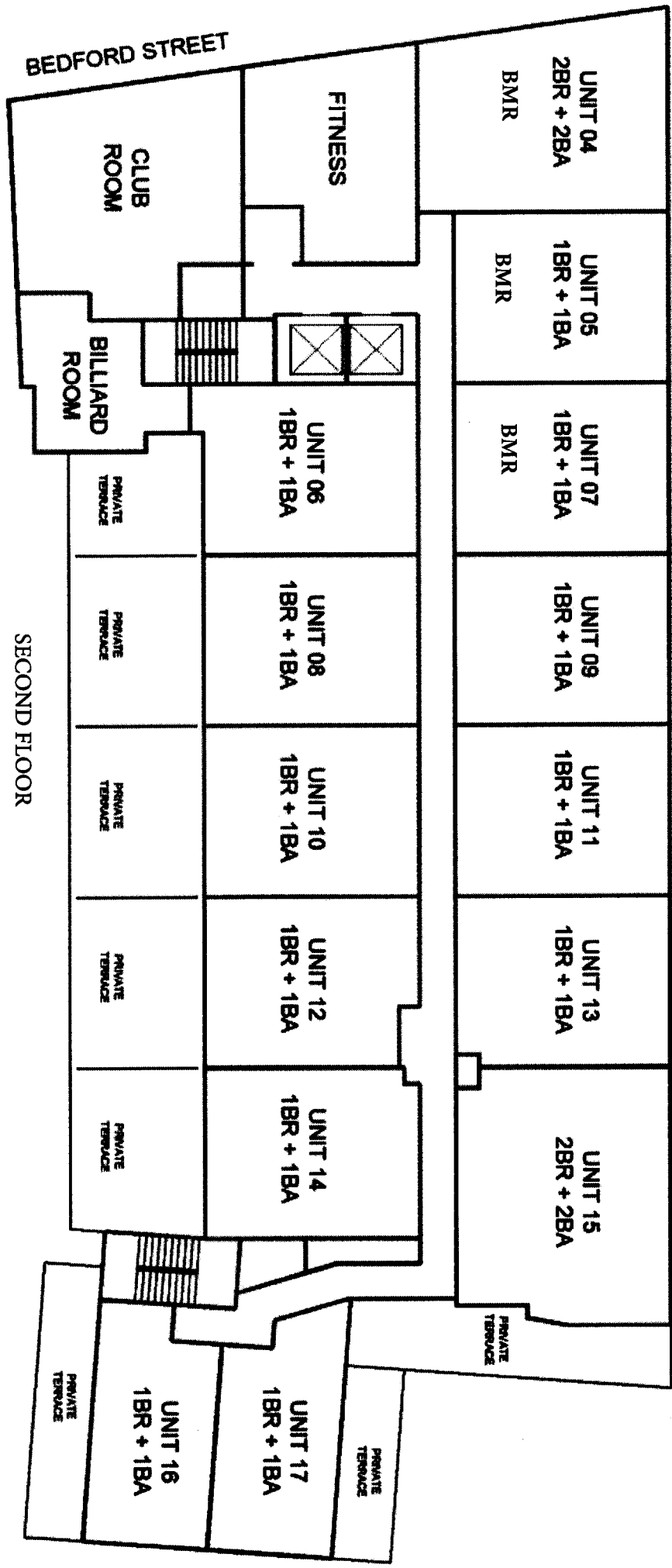
Vineeta Mathur

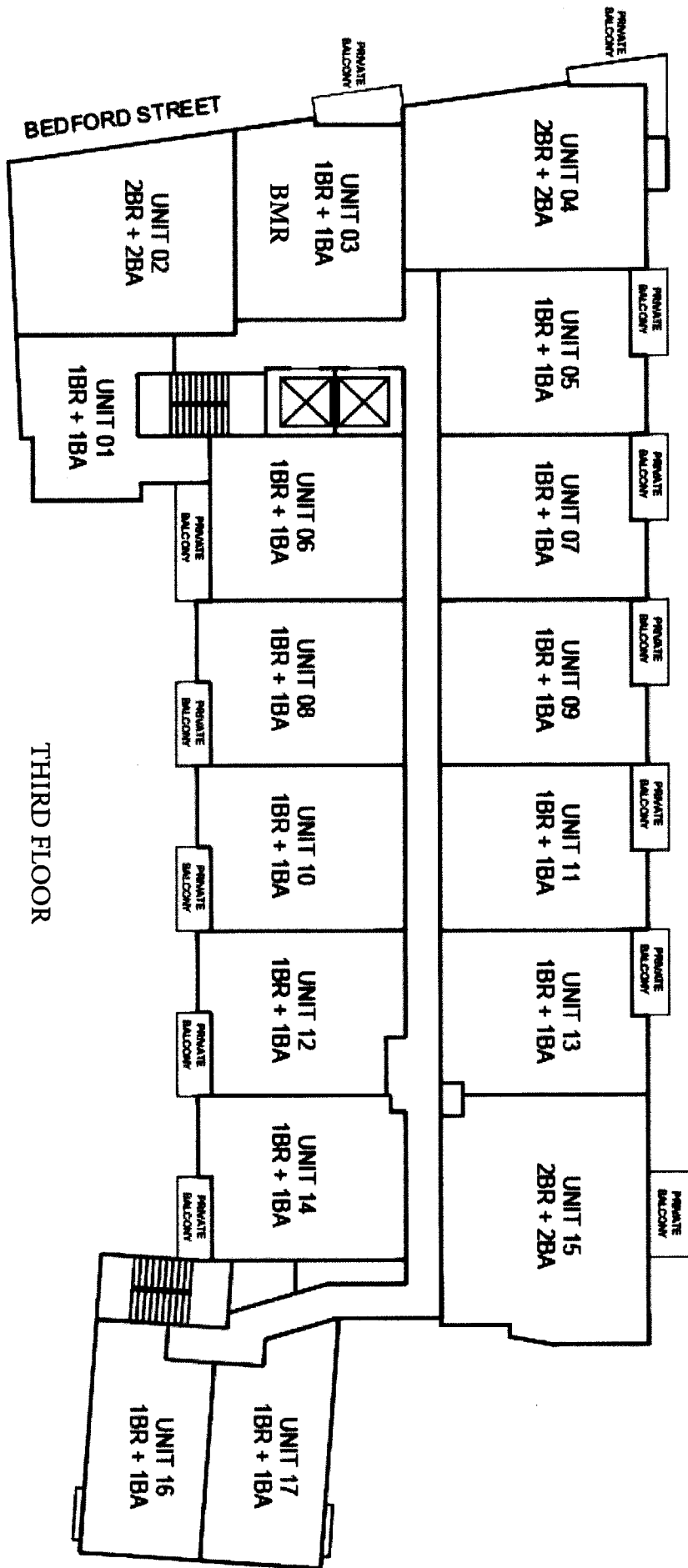
Vineeta Mathur, AICP  
Associate Planner

Dated: 12/10/16









THIRD FLOOR

