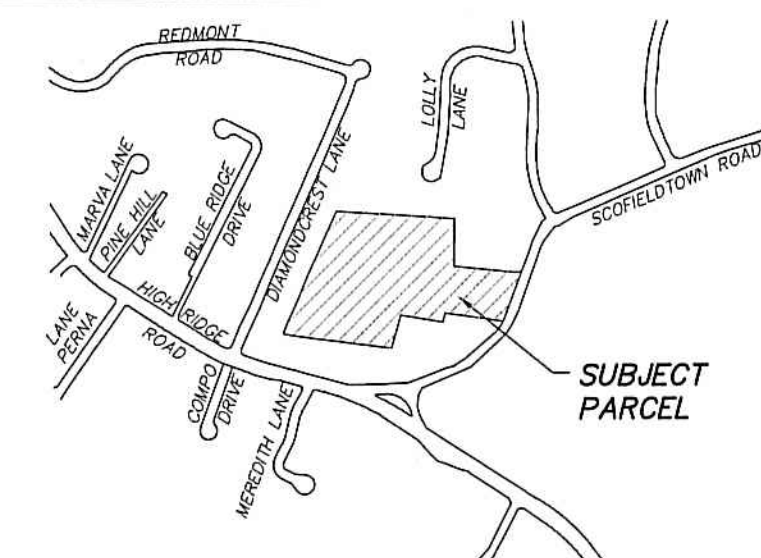


SYMBOL LEGEND

- 10' ELEVATION CONTOURS
- 11.0' SPOT ELEVATION
- MANHOLE
- SSMH STORM DRAIN MANHOLE
- SSMH STORM DRAIN MANHOLE
- WG WATER GATE
- CG GAS GATE
- FD FIRE HYDRANT
- APPROXIMATE LOCATION OF SUBSURFACE UTILITY LINE (G-GAS, W-WATER, E-ELEC, C-CATV)

TREE LEGEND

- A - ASH
- C - CEDAR
- DC - DOGWOOD
- LO - LOCUST
- M - MAPLE
- O - OAK
- P - PINE
- S - SPRUCE
- YP - YELLOW POPLAR



LOCATION MAP - 1"=1000'±

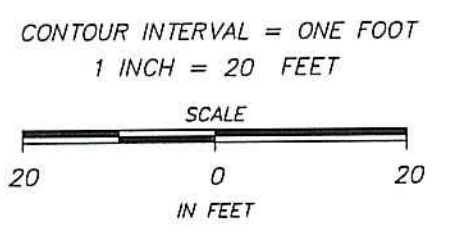
APPROXIMATE LOCATION OF OLD SEPTIC SYSTEM AS DEPICTED ON A MAP ENTITLED "PLOT PLAN PREPARED FOR CITY OF STAMFORD NORTHEAST ELEMENTARY SCHOOL, 82 SCOFIELDTOWN ROAD STAMFORD, CONNECTICUT PREPARED BY EDWARD J. RHODES, INC. AS REVISED JULY 31, 2001.



SCHOOL BUILDING
"NORTHEAST ELEMENTARY SCHOOL"

BENCHMARK
"U" CUT/CONC.
ELEV= 221.33
DATUM: NAVD 88

- GENERAL NOTES:**
- This map is a Data Accumulation Plan. Topographic data is in accordance with class "T-2" topographic accuracy as defined in the regulations of Connecticut State Agencies Sections 20-300b-1 through Sec. 20-300b-20.
 - Boundary information is not depicted, property lines are approximate and do not present the surveyor's property/ boundary opinion.
 - Contours and elevations depicted herein are referenced to the North American Vertical Datum of 1988 (NAVD 88).
 - The locations of subsurface structures and utilities as depicted herein indicate only that the structures exist, and no responsibility is assumed by the engineer or surveyor for the accuracy of the locations shown.
 - All construction shall comply with applicable sections of the State of Connecticut, Local, and International Building codes, and those criteria shall take precedent over these plans.
 - Certification will be required by a Professional Engineer license in the State of Connecticut that work has been completed in compliance with the approved drawings.
 - Sediment and erosion controls shall be maintained and repaired as necessary throughout construction until the site is stabilized.
 - Refer to sheet 5 of 5 for additional notes, specifications, and details.



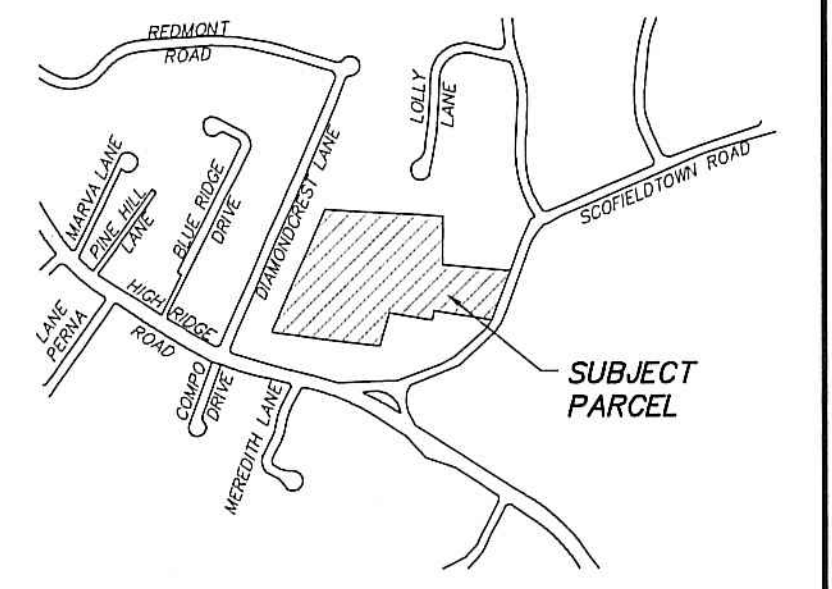
D'ANDREA SURVEYING & ENGINEERING, P.C.
 • LAND PLANNERS
 • ENGINEERS
 • SURVEYORS
 P.O. BOX 549 RIVERSIDE, CT 06878 6 NEIL LANE TEL. 637-1779

PROJECT	NORTHEAST ELEMENTARY SCHOOL
PREPARED FOR	CITY OF STAMFORD
LOCATION	82 SCOFIELDTOWN ROAD STAMFORD, CONNECTICUT
DATE	9-12-19
DESCRIPTION	CITY OF STAMFORD REVIEW
DATE	9-12-19
DESCRIPTION	EXISTING CONDITIONS

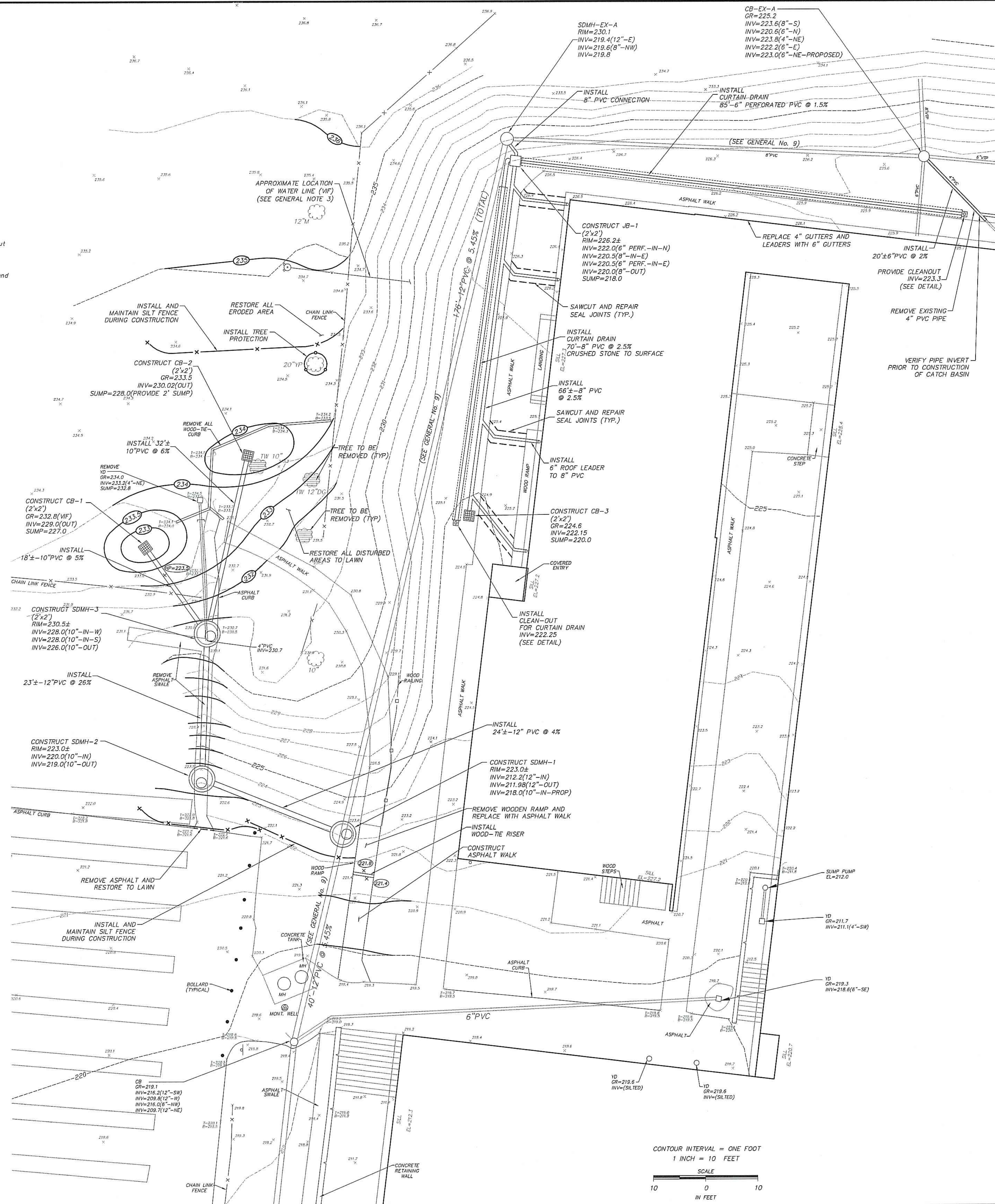
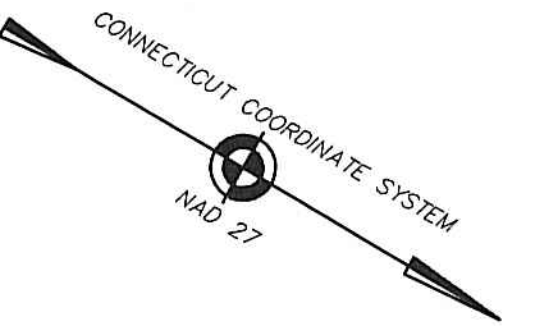
ONLY COPIES OF THIS MAP, BEARING AN ORIGINAL IMPRINT OF THE ENGINEER'S EMBOSSED SEAL SHALL BE CONSIDERED TO BE TRUE, VALID COPIES.

GENERAL NOTES:

1. Refer to sheet 1 of 5 for a declaration of survey class accuracy.
2. Contours and elevations depicted hereon are referenced to the North American Vertical Datum of 1988 (NAVD 88).
3. In accordance with Connecticut Public Act 87-71 and Connecticut General Statutes (CGS) Sections 16-345 through 16-359, the contractor shall verify the depth and location of all utilities prior to commencing construction, and shall contact "Call Before You Dig, Inc." at 1.800.922.4435, 48 hours prior to commencing construction.
4. The locations of subsurface structures and utilities as depicted hereon indicate only that the structures exist, and no responsibility is assumed by the engineer or surveyor for the accuracy of the locations shown. Contractor shall confirm all locations of underground utilities prior to commencement of any excavation.
5. All construction shall comply with applicable sections of the State of Connecticut, Local, and International Building codes, and those criteria shall take precedent over these plans.
6. Existing utilities in conflict with the proposed development as depicted on this plan shall be relocated as directed by the appropriate utility company and/or the owner. The contractor shall excavate test pits as required to verify the location and depth of utilities where conflicts may exist.
7. Certification will be required by a Professional Engineer license in the State of Connecticut that work has been completed in compliance with the approved drawings.
8. Sediment and erosion controls shall be maintained and repaired as necessary throughout construction until the site is stabilized.
9. All existing drainage pipes to remain shall be cleaned, video inspected and recorded. A copy of video recording shall be provided to the Stamford Engineering Department and project engineer for review.
10. Refer to sheet 5 of 5 for additional notes, specifications, and details.



LOCATION MAP - 1"=1000'±

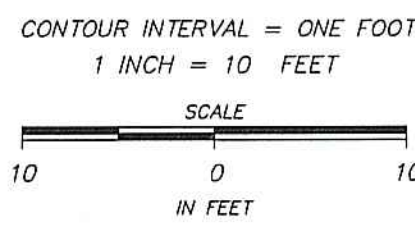


SYMBOL LEGEND

- 10' --- ELEVATION CONTOURS
- x 11.0 SPOT ELEVATION
- MH MANHOLE
- SDMH STORM DRAIN MANHOLE
- SDMH STORM DRAIN MANHOLE
- WG WATER GATE
- GG GAS GATE
- FB FIRE HYDRANT
- APPROXIMATE LOCATION OF SUBSURFACE UTILITY LINE (G-GAS, W-WATER, E-ELEC, C-CATV)
- VF VERIFY IN FIELD
- TYP. TYPICAL
- JB JUNCTION BOX
- YD YARD DRAIN
- TREE PROTECTION

TREE LEGEND

- A - ASH
- C - CEDAR
- DC - DOGWOOD
- LO - LOCUST
- M - MAPLE
- O - OAK
- P - PINE
- S - SPRUCE
- YP - YELLOW POPLAR



D'ANDREA SURVEYING & ENGINEERING, P.C.
 LAND PLANNERS
 ENGINEERS
 SURVEYORS
 P.O. BOX 549 RIVERSIDE, CT 06878
 6 NEIL LANE TEL. 637-1779

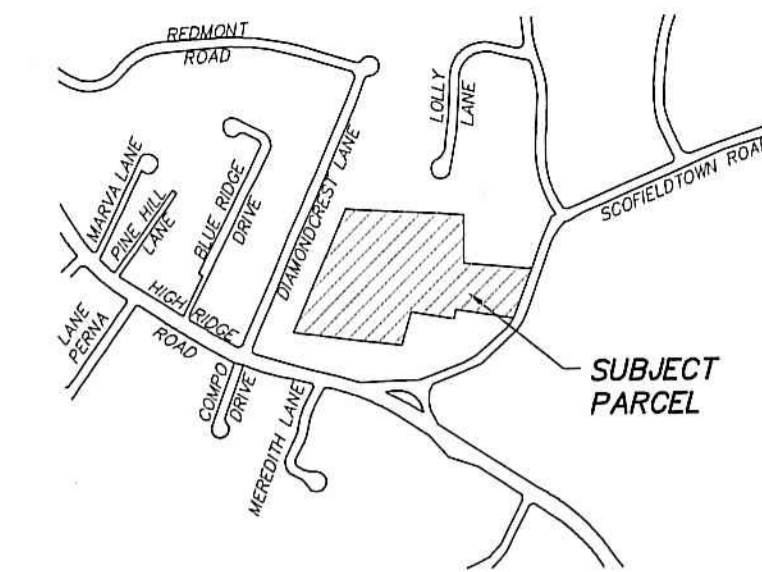
PROJECT	NORTHEAST ELEMENTARY SCHOOL	
PREPARED FOR	CITY OF STAMFORD	
LOCATION	82 SCOFIELDTOWN ROAD STAMFORD, CONNECTICUT	
2 OF 5	DEVELOPMENT PLAN SOUTH SIDE	

REV.	DATE	DESCRIPTION
1	10-1-19	EDITS PER CITY COMMENTS
0	9-12-19	CITY OF STAMFORD REVIEW
REV. DATE	DESCRIPTION	
LEONARD C. D'ANDREA, CT PE No. 14869	10-1-19	

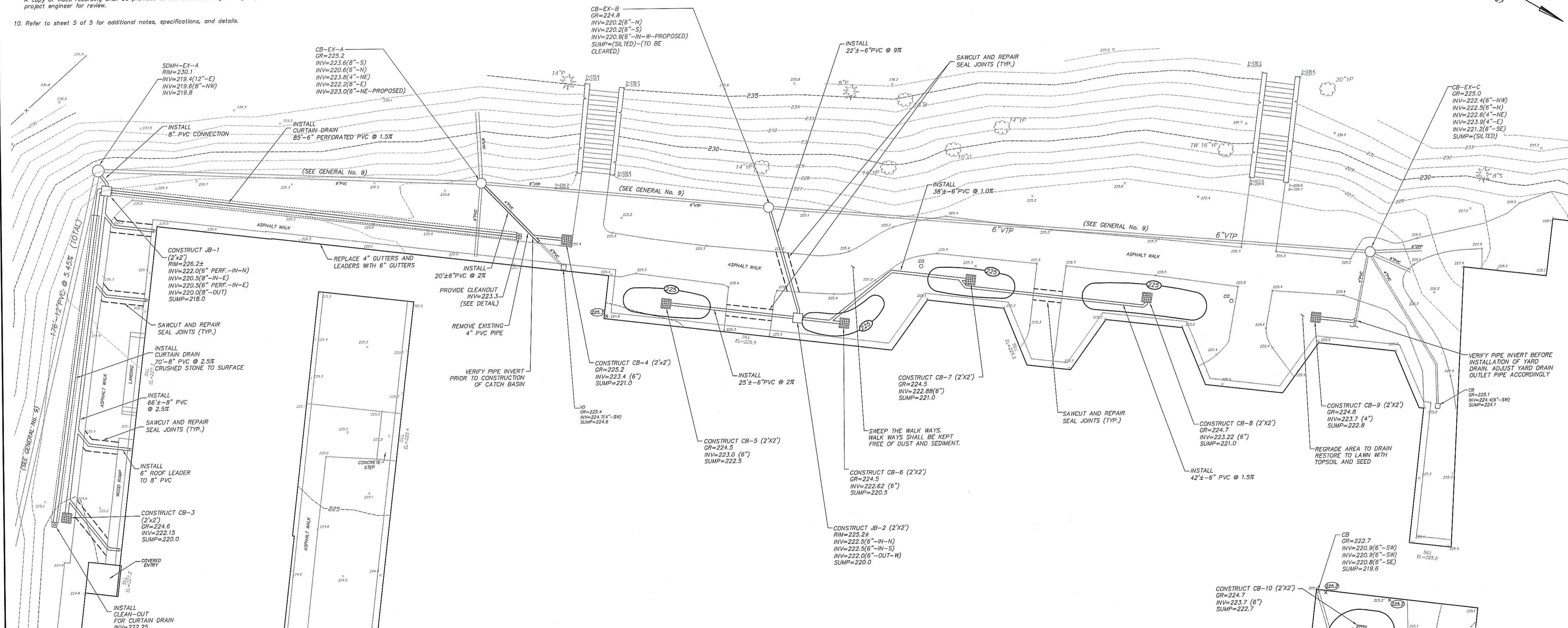
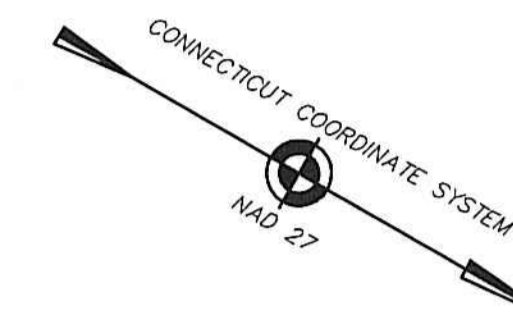
ONLY COPIES OF THIS MAP, BEARING AN ORIGINAL IMPRINT OF THE ENGINEER'S EMBOSSED SEAL SHALL BE CONSIDERED TO BE TRUE, VALID COPIES.

GENERAL NOTES:

1. Refer to sheet 1 of 5 for a declaration of survey class accuracy.
2. Contours and elevations depicted hereon are referenced to the North American Vertical Datum of 1988 (NAVD 88).
3. In accordance with Connecticut Public Act 87-71 and Connecticut General Statutes (CGS) Sections 16-345 through 16-359, the contractor shall verify the depth and location of all utilities prior to commencing construction, and shall contact "Call Before You Dig, Inc." at 1.800.922.4455, 48 hours prior to commencing construction.
4. The locations of subsurface structures and utilities as depicted hereon indicate only that the structures exist, and no responsibility is assumed by the engineer or surveyor for the accuracy of the locations shown. Contractor shall confirm all locations of underground utilities prior to commencement of any excavation.
5. All construction shall comply with applicable sections of the State of Connecticut, Local, and International Building codes, and those criteria shall take precedent over these plans.
6. Existing utilities in conflict with the proposed development as depicted on this plan shall be relocated as directed by the appropriate utility company and/or the owner. The contractor shall excavate test pits as required to verify the location and depth of utilities where conflicts may exist.
7. Certification will be required by a Professional Engineer license in the State of Connecticut that work has been completed in compliance with the approved drawings.
8. Sediment and erosion controls shall be maintained and repaired as necessary throughout construction until the site is stabilized.
9. All existing drainage pipes to remain shall be cleaned, video inspected and recorded. A copy of video recording shall be provided to the Stamford Engineering Department and project engineer for review.
10. Refer to sheet 5 of 5 for additional notes, specifications, and details.



LOCATION MAP - 1"=1000'±

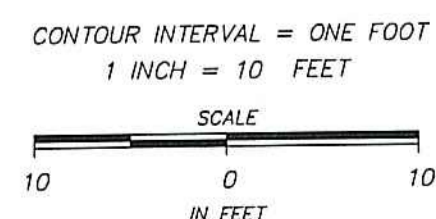


SYMBOL LEGEND

- 10 --- ELEVATION CONTOURS
- x 11.0 SPOT ELEVATION
- MH MANHOLE
- SSMH STORM DRAIN MANHOLE
- SSMH STORM DRAIN MANHOLE
- WG WATER GATE
- GF GAS GATE
- FD FIRE HYDRANT
- APPROXIMATE LOCATION OF SUBSURFACE UTILITY LINE (G-GAS, W-WATER, E-ELEC, C-CATV)
- VF TYPICAL VERIFY IN FIELD
- JB JUNCTION BOX
- YD YARD DRAIN
- TREE PROTECTION

TREE LEGEND

- A - ASH
- C - CEDAR
- DC - DOGWOOD
- LO - LOCUST
- M - MAPLE
- O - OAK
- P - PINE
- S - SPRUCE
- YP - YELLOW POPLAR



D'ANDREA SURVEYING & ENGINEERING, P.C.
 LAND PLANNERS
 ENGINEERS
 SURVEYORS
 P.O. BOX 549 RIVERSIDE, CT 06878
 6 NIEL LANE TEL. 637-1779

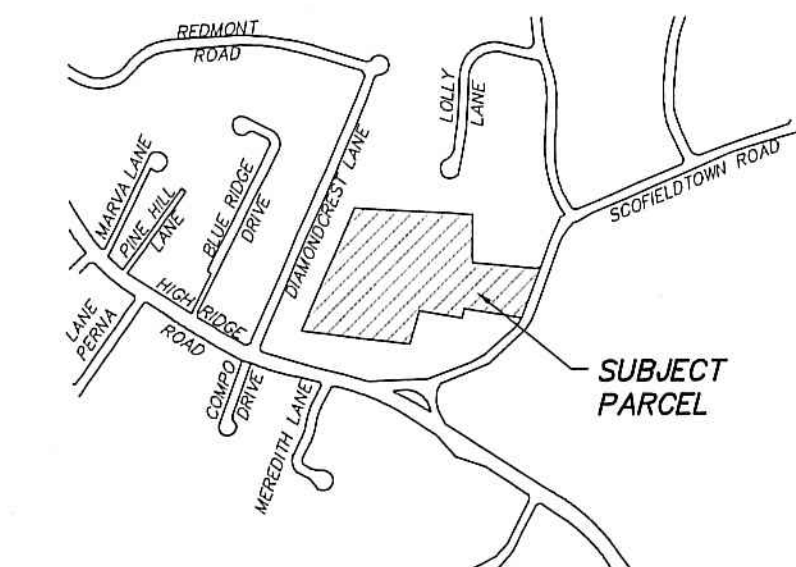
PROJECT	NORTHEAST ELEMENTARY SCHOOL	
PREPARED FOR	CITY OF STAMFORD	
LOCATION	82 SCOFIELDTOWN ROAD STAMFORD, CONNECTICUT	
3 OF 5	DEVELOPMENT PLAN WEST SIDE	

REV	DATE	DESCRIPTION
1	10-1-19	EDITS PER CITY COMMENTS
0	9-12-19	CITY OF STAMFORD REVIEW
LEONARD C. D'ANDREA	10-1-19	ENGINEER

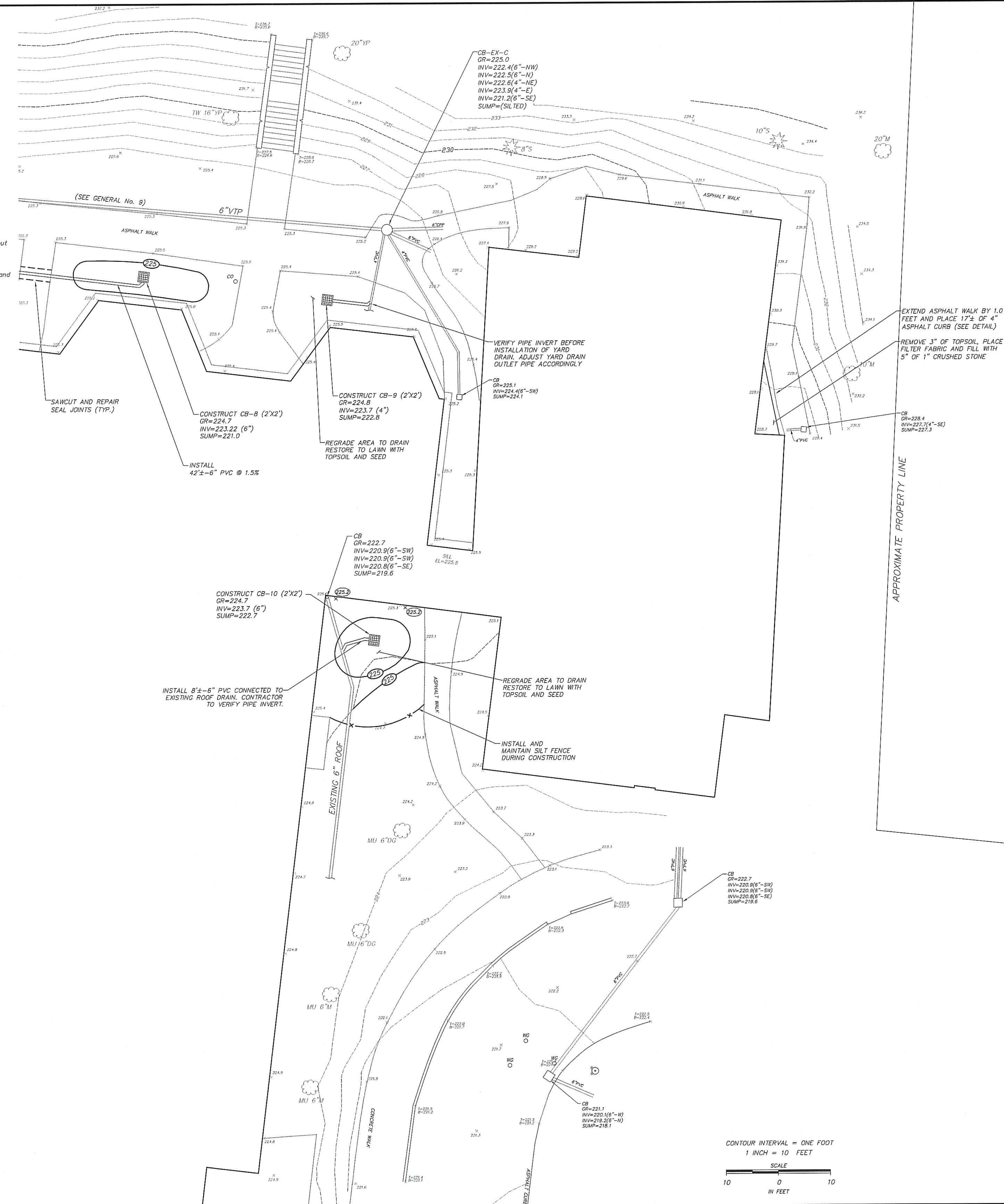
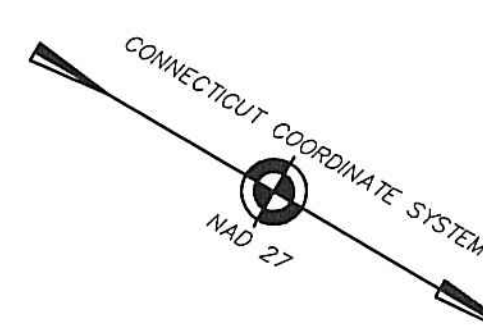
ONLY COPIES OF THIS MAP, BEARING AN ORIGINAL IMPRINT OF THE ENGINEER'S EMBOSSED SEAL SHALL BE CONSIDERED TO BE TRUE, VALID COPIES.

GENERAL NOTES:

1. Refer to sheet 1 of 5 for a declaration of survey class accuracy.
2. Contours and elevations depicted hereon are referenced to the North American Vertical Datum of 1988 (NAVD 88).
3. In accordance with Connecticut Public Act 87-71 and Connecticut General Statutes (CGS) Sections 16-345 through 16-359, the contractor shall verify the depth and location of all utilities prior to commencing construction, and shall contact "Call Before You Dig, Inc." at 1.800.922.4455, 48 hours prior to commencing construction.
4. The locations of subsurface structures and utilities as depicted hereon indicate only that the structures exist, and no responsibility is assumed by the engineer or surveyor for the accuracy of the locations shown. Contractor shall confirm all locations of underground utilities prior to commencement of any excavation.
5. All construction shall comply with applicable sections of the State of Connecticut, Local, and International Building codes, and those criteria shall take precedent over these plans.
6. Existing utilities in conflict with the proposed development as depicted on this plan shall be relocated as directed by the appropriate utility company and/or the owner. The contractor shall excavate test pits as required to verify the location and depth of utilities where conflicts may exist.
7. Certification will be required by a Professional Engineer license in the State of Connecticut that work has been completed in compliance with the approved drawings.
8. Sediment and erosion controls shall be maintained and repaired as necessary throughout construction until the site is stabilized.
9. All existing drainage pipes to remain shall be cleaned, video inspected and recorded. A copy of video recording shall be provided to the Stamford Engineering Department and project engineer for review.
10. Refer to sheet 5 of 5 for additional notes, specifications, and details.



LOCATION MAP - 1"=1000'±

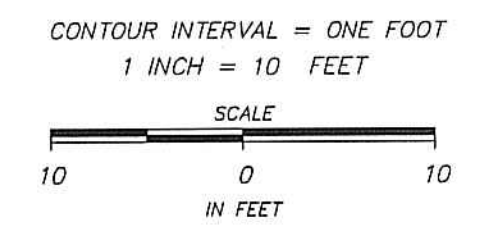


SYMBOL LEGEND

- ELEVATION CONTOURS
- SPOT ELEVATION
- MANHOLE
- STORM DRAIN MANHOLE
- WATER GATE
- GAS GATE
- FIRE HYDRANT
- APPROXIMATE LOCATION OF SUBSURFACE UTILITY LINE (G-GAS, W-WATER, E-ELEC, C-CATV)
- VERIFY IN FIELD
- TYPICAL
- JUNCTION BOX
- YARD DRAIN
- TREE PROTECTION

TREE LEGEND

- A - ASH
- C - CEDAR
- DC - DOGWOOD
- LD - LOCUST
- M - MAPLE
- O - OAK
- P - PINE
- S - SPRUCE
- YP - YELLOW POPLAR



D'ANDREA SURVEYING & ENGINEERING, P.C.
 • LAND PLANNERS
 • ENGINEERS
 • SURVEYORS
 P.O. BOX 549 RIVERSIDE, CT 06878 6 NEIL LANE TEL. 637-1779

PROJECT	NORTHEAST ELEMENTARY SCHOOL	
PREPARED FOR	CITY OF STAMFORD	
LOCATION	82 SCOFIELDTOWN ROAD STAMFORD, CONNECTICUT	
4 OF 5	DEVELOPMENT PLAN NORTH SIDE	

REV.	DATE	DESCRIPTION
1	10-1-19	EDITS PER CITY COMMENTS
0	9-12-19	CITY OF STAMFORD REVIEW
LEONARD C. D'ANDREA, CT PE No. 14869 ENGINEER 10-1-19		

ONLY COPIES OF THIS MAP, BEARING AN ORIGINAL IMPRINT OF THE ENGINEER'S EMBOSSED SEAL SHALL BE CONSIDERED TO BE TRUE, VALID COPIES.

CITY OF STAMFORD NOTES:

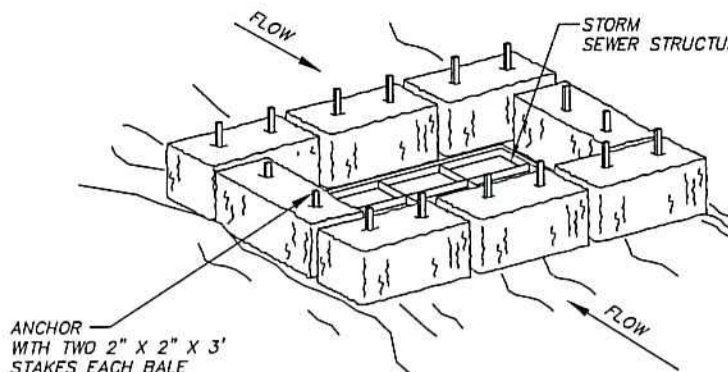
- 1) A Street Opening Permit is required for all work within the City of Stamford Right-of-Way.
- 2) All work within the City of Stamford Right-of-Way shall be constructed to City of Stamford requirements, the State of Connecticut Basic Building Code and the Connecticut Guidelines for Soil Erosion and Sedimentation Control.
- 3) The Engineering Bureau of the City of Stamford shall be notified three days prior to any commencement within the City of Stamford Right-of-Way.
- 4) Trees within the City of Stamford Right-of-Way to be removed shall be posted in accordance with the Tree Ordinance.
- 5) Prior to any excavation the Contractor and/or Applicant/Owner, in accordance with Public Act 77-350, shall be required to contact "Call Before You Dig" at 1-800-922-4455 for mark out of underground utilities.
- 6) Certification will be required by a professional engineer licensed in the State of Connecticut that work has been completed in compliance with the approved drawings.
- 7) A Final Location Plan will be required by a professional land surveyor licensed in the State of Connecticut.
- 8) Granite block or other decorative stone or brick, depressed curb, driveway apron and curbing within the City of Stamford Right-of-Way shall require a waiver from the City of Stamford Engineering Bureau.
- 9) Sediment and erosion controls shall be maintained and repaired as necessary throughout construction until the site is stabilized.

CONSTRUCTION NOTES:

1. The project engineer and the City of Stamford Engineering Department shall be notified three days prior to commencing construction.
2. Construction shall be inspected by a professional engineer as the work progresses.
3. Any changes to the plan without the prior approval of the design engineer or the Stamford Engineering Department is not permitted.
4. Certification by a registered professional engineer is required that construction is substantially in accordance with these plans, and also to the satisfaction of the Engineering Department, including the submission of an "as-built" map, prepared by a licensed land surveyor.
5. Excess material excavated during construction shall be disposed of legally off site.
6. Existing utilities in conflict with the proposed development as depicted on this plan shall be relocated as directed by the appropriate utility company and/or the owner. The contractor shall excavate test pits as required to verify the location and depth of utilities where conflicts may exist.
7. All PVC pipe shall conform to ASTM D-3034 "standard specification for type PSM-Poly Vinyl Chloride (PVC) sewer pipe and fitting", or engineer approved equivalent (SDR-35).
8. All drainage conduits shall have 2'-1/4" minimum cover or be encased in concrete when under roadways or parking area, and 12" in other areas.
9. Bedding and backfill material shall conform to ASTM D2321 specification "standard recommended practice for underground installations of flexible thermoplastic sewer pipe (PVC)".
10. Where a soft foundation is encountered during construction of storm sewers, the contractor shall remove the unsuitable material and replace it with other material approved by the engineer.
11. The certifying engineer or Stamford Engineering Department may direct a change in the location of the drainage structures to meet field conditions.
12. All catch basin to manhole connections shall be sloped at a minimum of 2% or as otherwise noted.
13. Storm drain manhole sumps and risers shall be 48" diameter as manufactured by Eastern Precast Co., Inc. or engineer approved equivalent. Frames and risers shall be pattern no. 1007B as manufactured by Campbell Foundry Co., Inc., or engineer approved equivalent.
14. Precast concrete cone sections, if required, shall be eccentric cones, and flat slab tops are to have eccentric openings. Eccentric cone sections shall be used when the vertical distance between the manhole frame and the top of the highest pipe is six (6) feet or greater. Otherwise, flat slab tops shall be used. Aluminum manhole steps (drop form type) shall be provided in all manholes at 12 inch intervals. Each step shall be capable of supporting a minimum load of 1,000 pounds. Wall joints shall be "O-ring" rubber gasket types with the interior and exterior joint faces sealed with waterproof non-shrink grout.
15. The contractor shall provide all the equipment, tools, labor and materials necessary to satisfactorily clean and remove all visible obstructions, dirt, sand, sludge, roots, gravel, stones, etc., from the designated drains and manholes.
16. Re-grading, filling, and other alterations to the site shall be restricted to the minimum level necessary to complete the project as shown on the approved plans.
17. The contractor shall be responsible for securing all required permits from the City of Stamford for completion of the project, including but not limited to an Environmental Protection Board permit, a street opening permit.

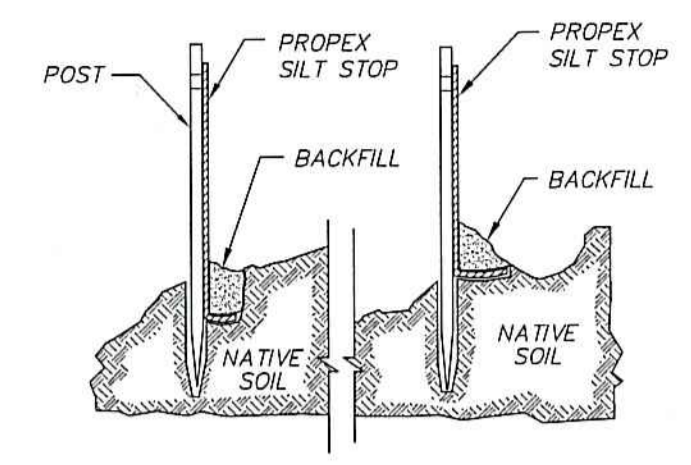
SEDIMENTATION AND EROSION CONTROL NOTES:

1. Temporary soil and erosion control measures, inclusive of filter barriers, water breaks, check dams, and anti-tracking areas, shall remain in place for as long as necessary to permanently stabilize developed areas.
2. Erosion and sediment control devices shall be installed in their proper sequence. No clearing or grading may be done in any area until the erosion control devices for that area, as shown on the plan, are in place and functional.
3. Natural vegetation shall be maintained and protected where practical.
4. All sediment and erosion control devices and provisions shall be maintained in operational condition by the contractor until final acceptance of the project.
5. No changes of this soil erosion and sediment control plan may be made without prior approval of the supervising engineer.
6. Land disturbance is to be kept to a minimum. Reestablishment and/or stabilization of disturbed areas shall be scheduled as soon as practical.
7. Erosion controls shall be monitored periodically to verify that they are maintained in effective working order. If, during construction, additional control measures are necessary, they shall be installed by that contractor.
8. Sediment or debris shall be removed from the drainage pipes and structures as it accumulates during construction. It shall be disposed of in a manner which is consistent with the intent of this plan.
9. The contractor may provide alternate means of sediment control, but he may not eliminate placement of protection in the areas indicated hereon.
10. Sediment fencing shall be installed where required prior to commencing construction, and shall remain in place for the duration of the project. Fencing shall be Propex Silt Stop (TM) as manufactured by Amoco, or engineer approved equivalent.
11. The contractor shall re-grade, topsoil, and seed all disturbed areas immediately after construction has been completed.
12. Refer to Connecticut Guidelines for Soil Erosion and Sediment Control (2002) for additional details and specifications.
13. Additional protection measures shall be implemented should site conditions warrant them.

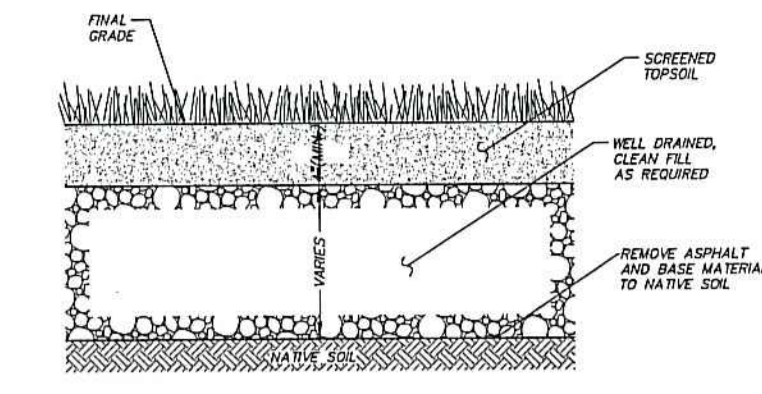


HAY BALE INSTALLATION AT CATCH BASINS
N.T.S.

NOTE:
POSTS SHOULD NOT BE SPACED MORE THAN 10' APART

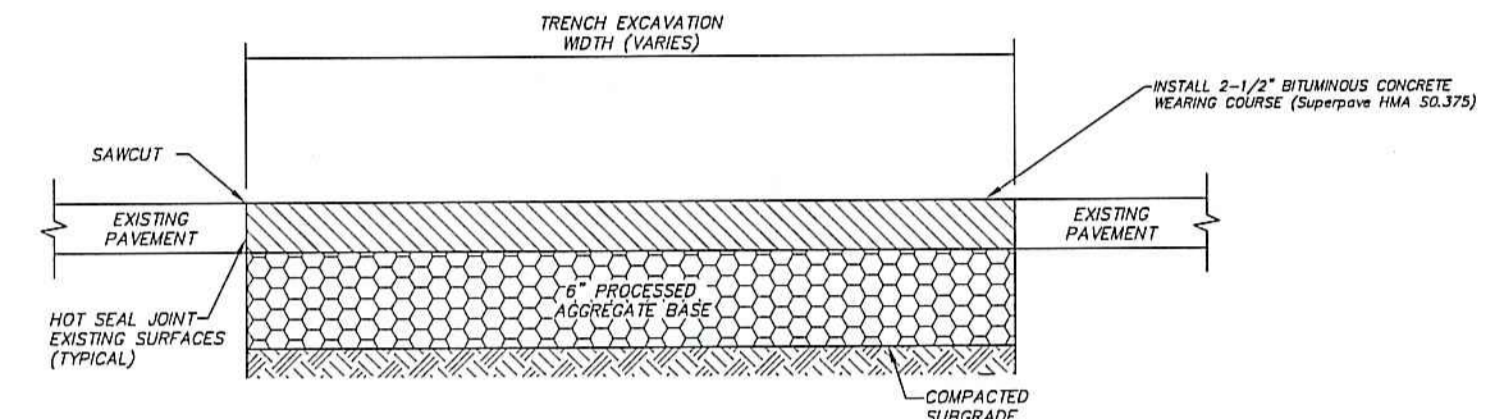


INSTALLATION DETAIL SEDIMENT CONTROL FABRIC
N.T.S.



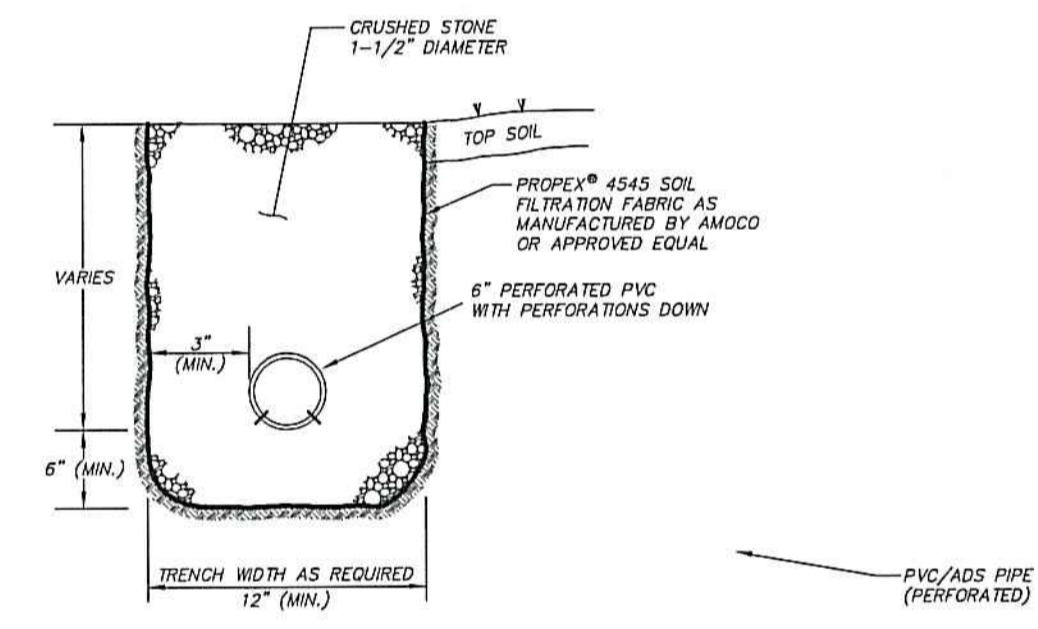
LAWN RESTORATION DETAIL
N.T.S.

- NOTES:**
1. Land disturbance shall be kept to a minimum. All disturbed areas shall be planted in where permanent plantings are called for as soon as practicable. Seed and mulch disturbed areas with grass seed where permanent plantings are not called for, as soon as practicable. Prepare seedbed (4" thick minimum) with topsoil. Seed, rake, roll, water and mulch areas according to mixes below. Water as often as necessary (up to 3 times per day) to establish cover. Mulch seeded areas at 1 to 2 tons/acre with soft hay. Maintain mulch and watering until grass is 3" high with 85% cover. Reseed or overseed if necessary.
- Temporary Seed Mix:
Perennial grasses 40 lbs./ac.
- Permanent Lawns:
Kentucky Bluegrass 20 lbs./ac.
Creeping red fescue 20 lbs./ac.
Perennial ryegrass 5 lbs./ac.
(1 lb./1000 sq. ft.)
- Optimum Seeding Dates:
April 15 through June 15
August 15 through October 1 45 lbs./ac.
(1 lb./1000 sq. ft.)

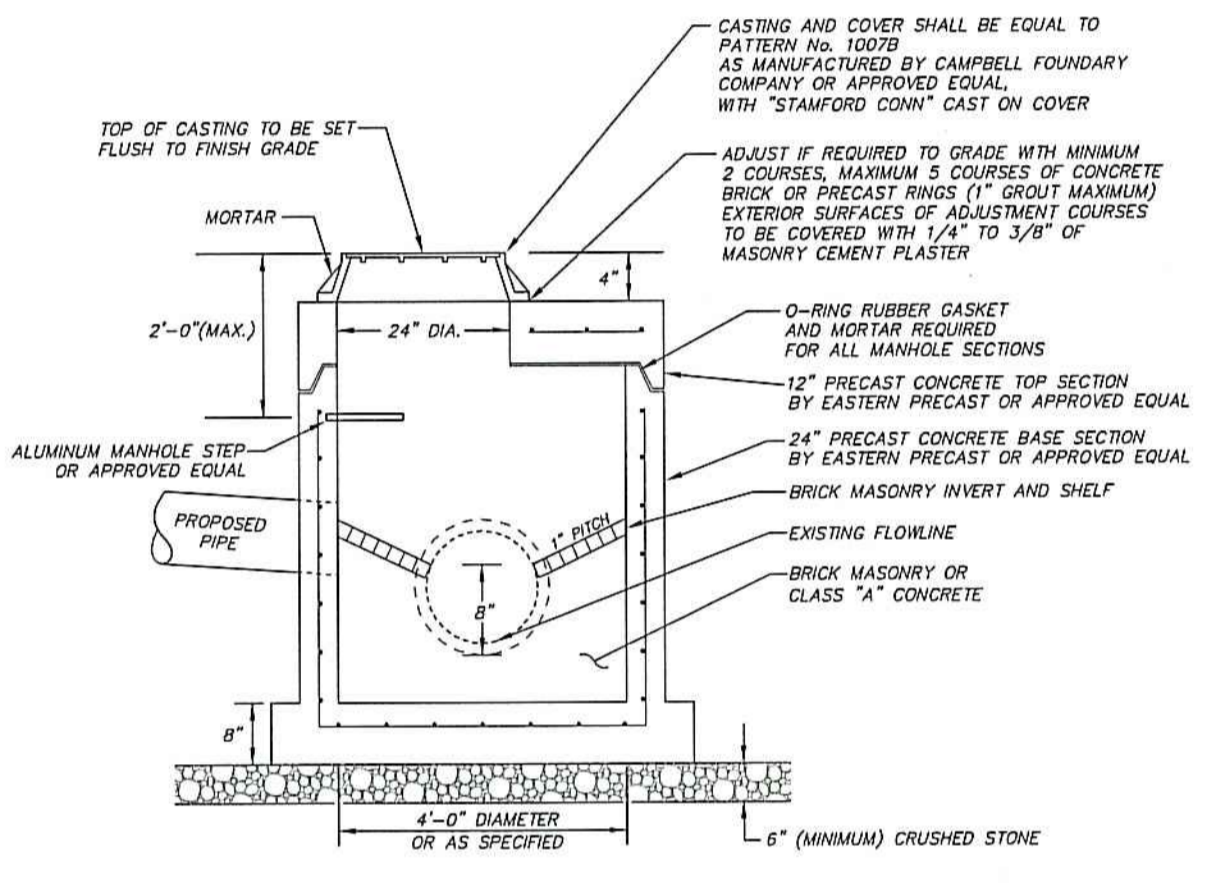


ASPHALT SIDEWALK TRENCH REPAIR
N.T.S.

NOTES:
1. IF ANY EXISTING ASPHALT IS THICKER THAN 1 1/2" THEN MATCH EXISTING ASPHALT THICKNESS.

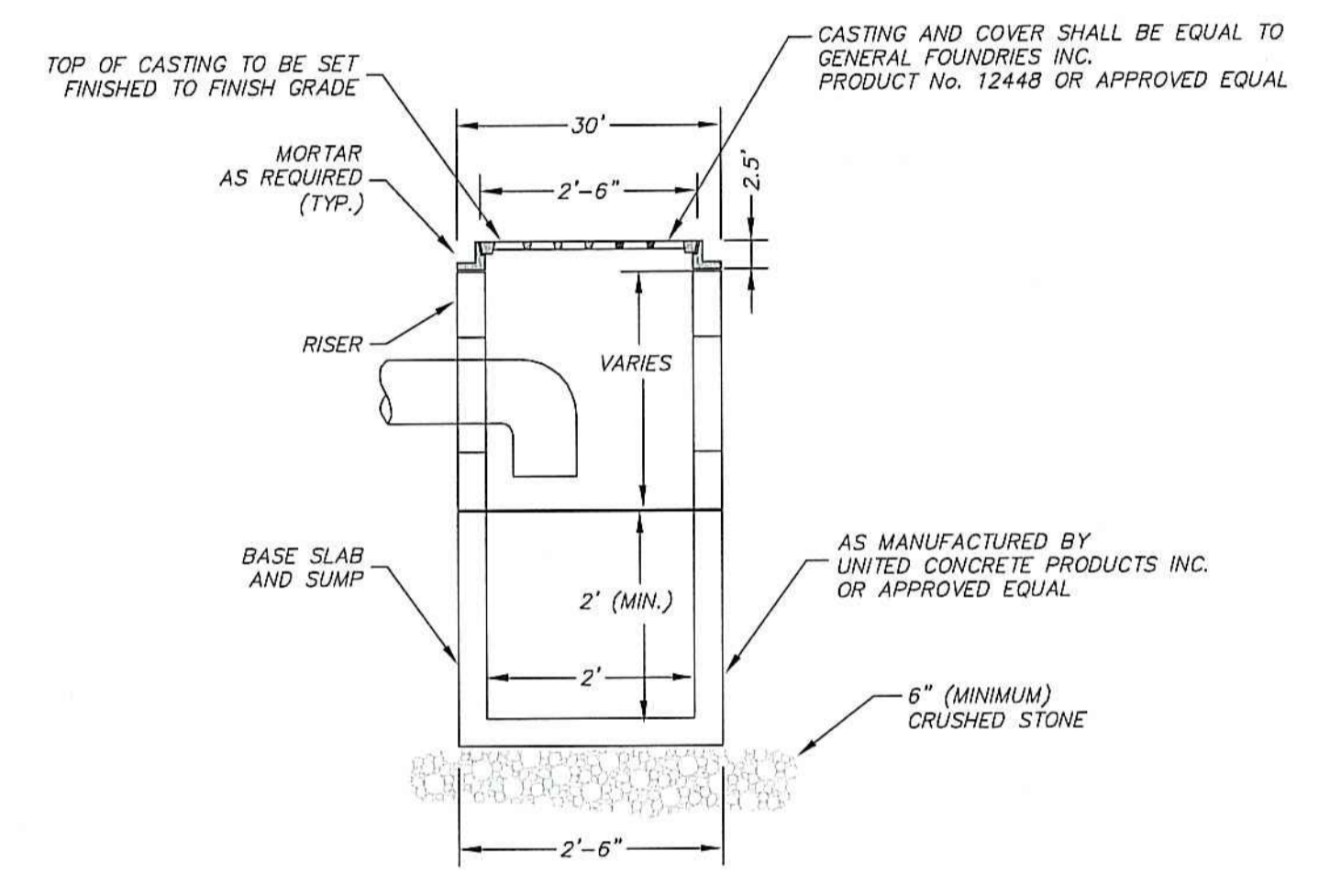


CURTAIN DRAIN DETAIL
N.T.S.

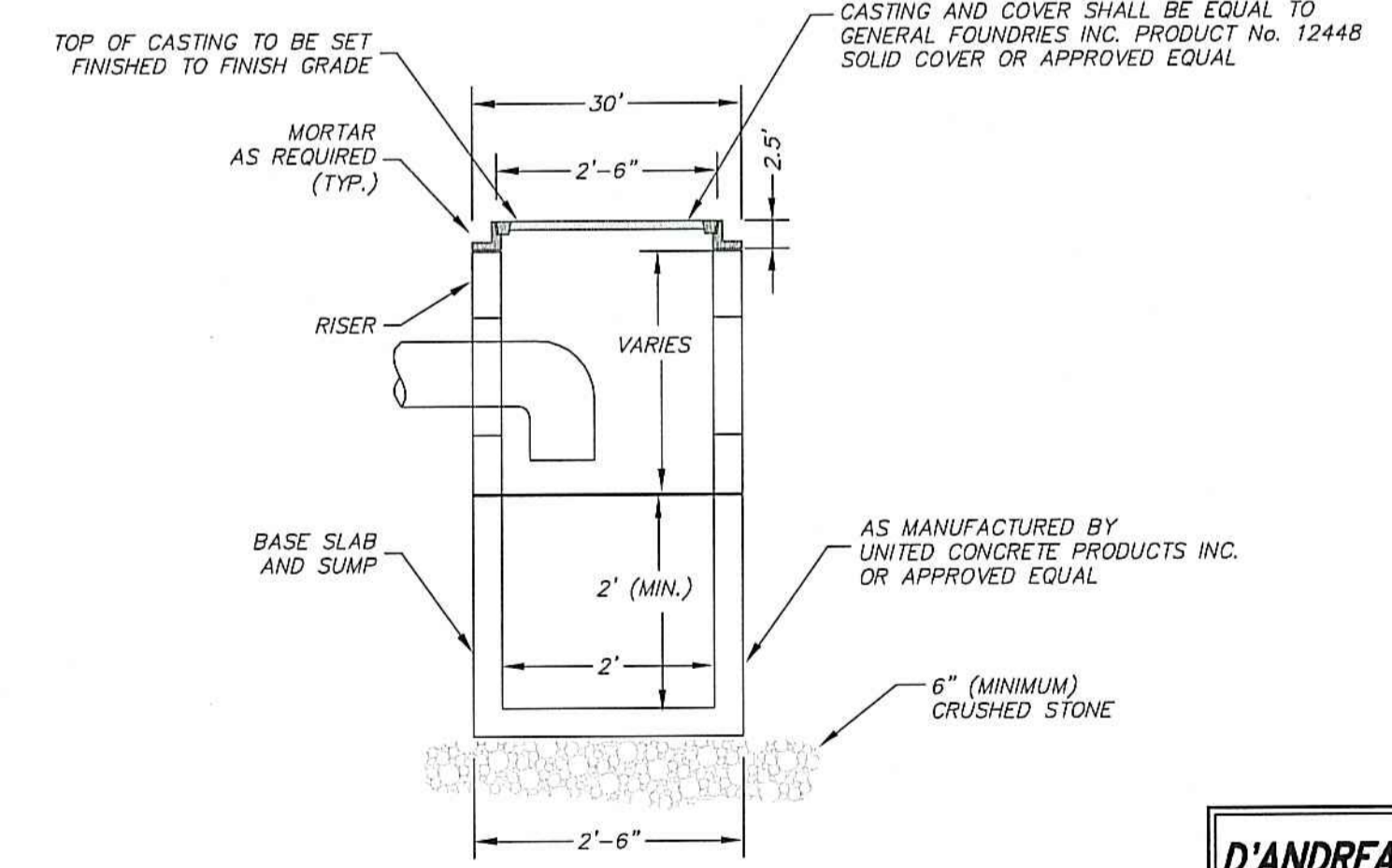


SHALLOW STORM DRAIN MANHOLE DETAIL
N.T.S.

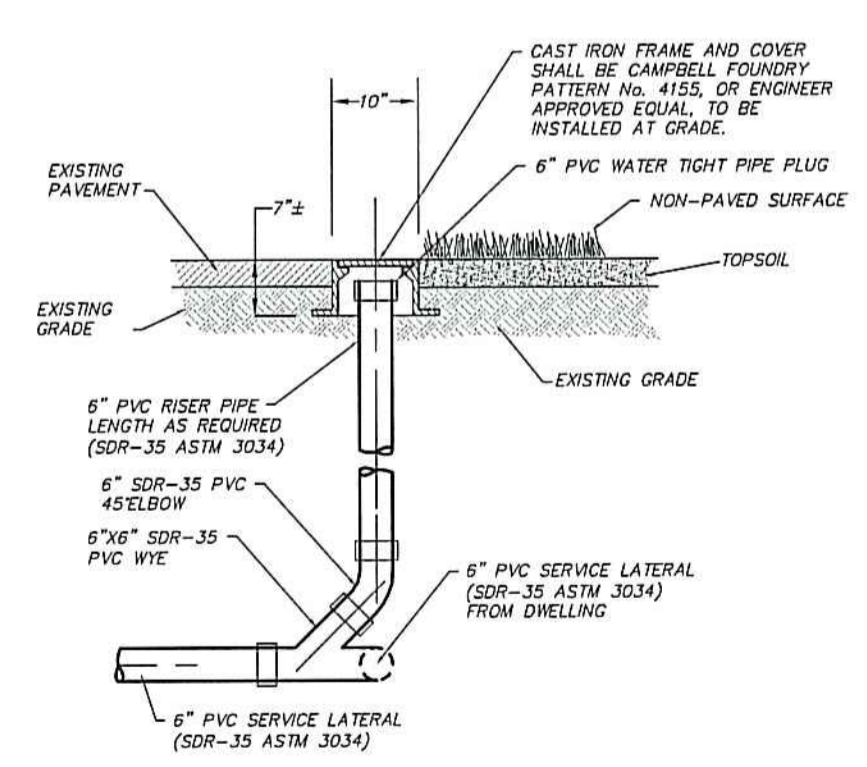
- NOTES:**
1. MANHOLE TOP SLAB AND GRATE ARE DESIGNED TO WITHSTAND H-20 LOADING.
 2. REFER TO PLAN FOR ALL INVERTS AND PIPE SIZES.
 3. FILL AREA BELOW OUTLET PIPE WITH BRICK MASONRY OR CLASS "A" CONCRETE AS NECESSARY TO ACHIEVE SPECIFIED INVERT.



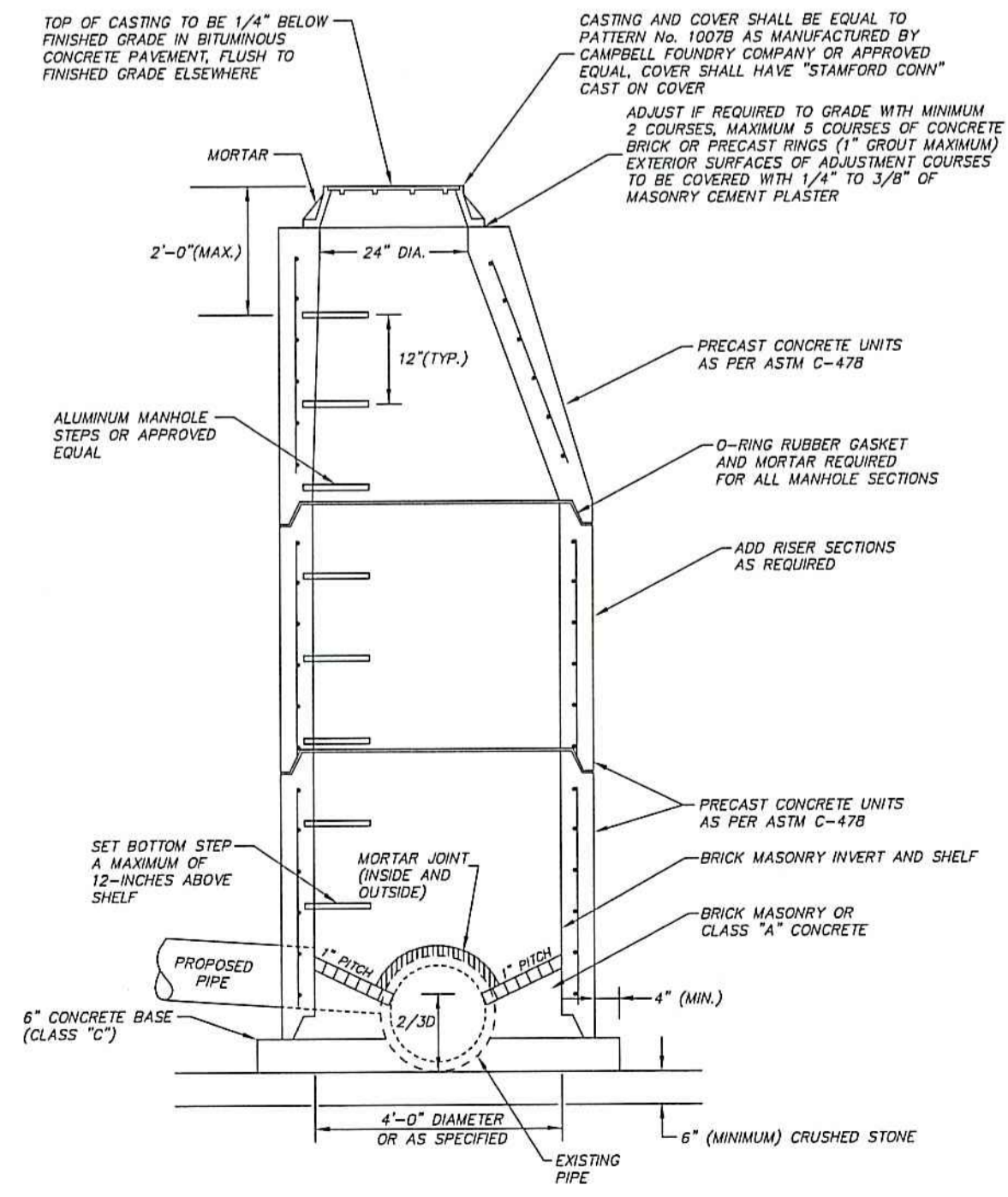
2' x 2' PRE-CAST YARD DRAIN DETAIL
N.T.S.



2' x 2' PRE-CAST JUNCTION BOX DETAIL
N.T.S.



CLEAN OUT DETAIL PAVED AND NON-PAVED SURFACE
N.T.S.



STORM DRAIN MANHOLE DETAIL - DOGHOUSE
N.T.S.

D'ANDREA SURVEYING & ENGINEERING, P.C.
• LAND PLANNERS
• ENGINEERS
P.O. BOX 549 RIVERSIDE, CT 06878 • SURVEYORS 6 NEIL LANE TEL. 637-1779

PROJECT	NORTHEAST ELEMENTARY SCHOOL	
PREPARED FOR	CITY OF STAMFORD	
LOCATION	82 SCOFIELDTOWN ROAD STAMFORD, CONNECTICUT	
5 OF 5	NOTES & DETAILS	

REV.	DATE	DESCRIPTION
1	10-1-19	EDITS PER CITY COMMENTS
0	9-12-19	CITY OF STAMFORD REVIEW
LEONARD C. D'ANDREA, CT PE No. 14869		
[Signature]		10-1-19
ENGINEER		

ONLY COPIES OF THIS MAP, BEARING AN ORIGINAL IMPRINT OF THE ENGINEER'S EMBOSSED SEAL SHALL BE CONSIDERED TO BE TRUE, VALID COPIES.

NORTHEAST_SBALED_01_REV1.DWG (EMH)