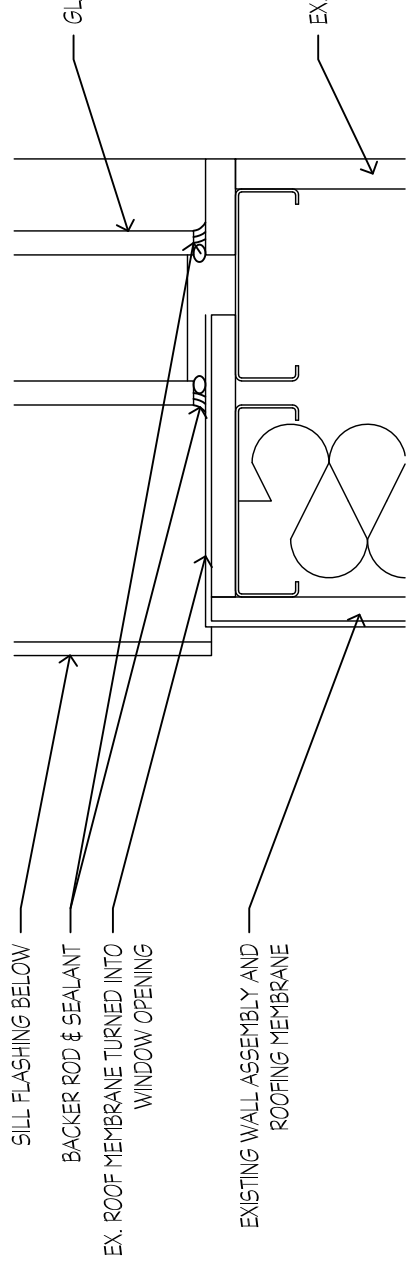
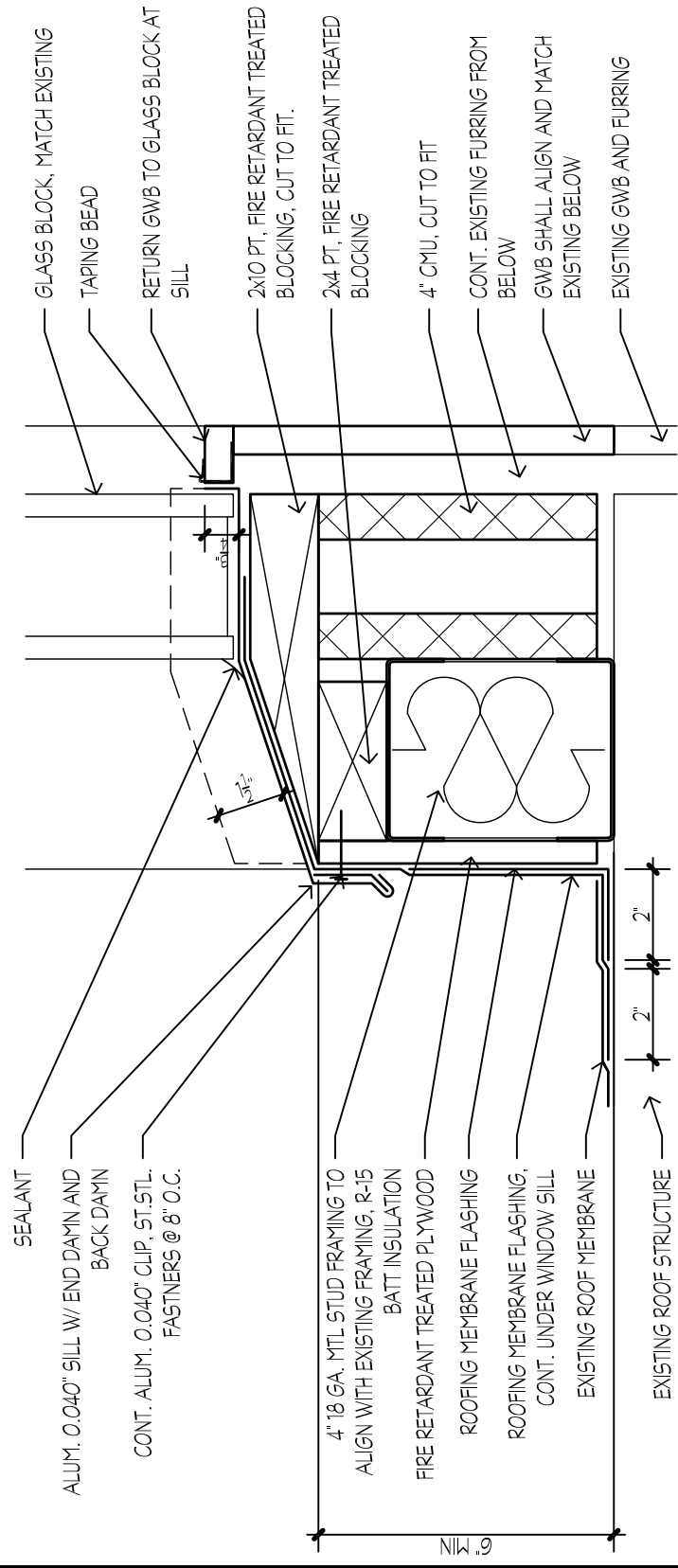


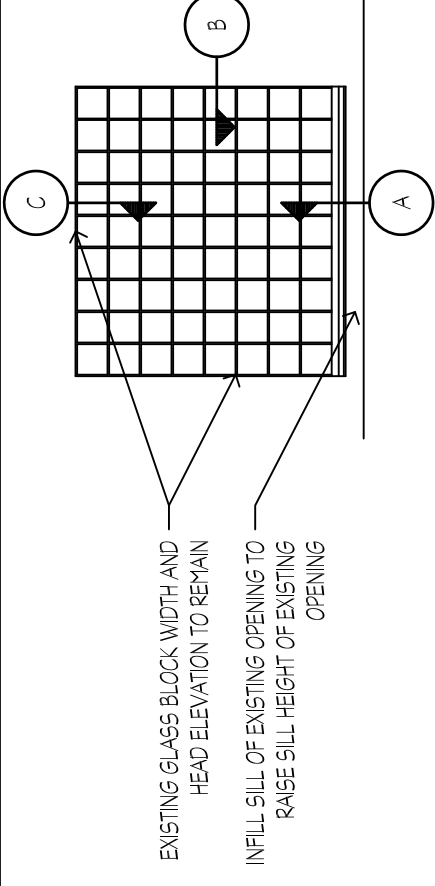
**C** GLASS BLOCK WINDOW HEAD DETAIL  
3/8"=1'-0"



**B** GLASS BLOCK WINDOW JAMB DETAIL  
3/8"=1'-0"



**A** GLASS BLOCK WINDOW SILL DETAIL  
3/8"=1'-0"



**1** GLASS BLOCK WINDOW ELEVATION  
1/4"=1'-0"

**SPECIFICATIONS:**

FURNISH ALL LABOR, MATERIALS, TOOLS, APPLIANCES, EQUIPMENT, ETC. AS MAY BE REQUIRED TO COMPLETE THE WORK.  
SUBMITTALS

**PRODUCT DATA:** SUBMIT MANUFACTURER'S TECHNICAL PRODUCT DATA WITH SELECTED PRODUCT CLEARLY INDICATED. INCLUDE FURNISHED SPECIALTIES AND ACCESSORIES, AND INSTALLATION INSTRUCTIONS.

**SHOP DRAWINGS:** SUBMIT MANUFACTURER'S ASSEMBLY TYPE SHOP DRAWINGS INDICATING DIMENSIONS, ROUGHING-IN REQUIREMENTS, REQUIRED CLEARANCES AND METHODS OF ASSEMBLY OF COMPONENTS AND ANCHORAGES.

**SAMPLES:** SUBMIT SAMPLES FOR INITIAL SELECTION BY THE ARCHITECT.

**MASONRY MORTAR:**

GLASS BLOCK MORTAR. WHITE COLOR, TYPE S MORTAR MEETING ASTM C 270 AND C174 ACHIEVING A COMPRESSIVE STRENGTH IN EXCESS OF 1,800 PSI @ 28 DAYS WITH WATERPROOFING ADDITIVES.

**ROOFING:**

SINGLE-PLY MEMBRANE. MATCH EXISTING ROOFING SYSTEM. REFER TO MANUFACTURER'S INSTALLATION INSTRUCTIONS FOR INSTALLATION DETAIL, REQUIRED ACCESSORIES, FASTENING REQUIREMENTS, ETC. UTILIZE DETAILS REQUIRED TO PROVIDE A 20 YEAR WARRANTY.

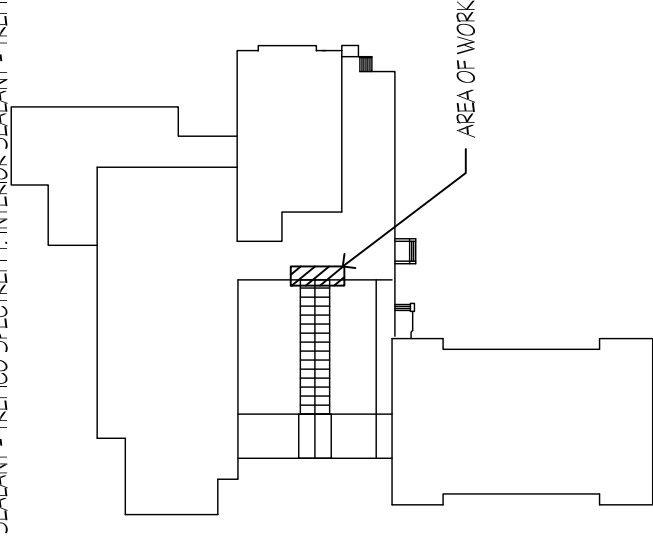
**SHEET METAL:**

ALUMINUM: PROVIDE GAUGE AS INDICATED ON DRAWINGS. FINISH SHALL HAVE A MINIMUM OF 50% PVDF CONTENT, SIMILAR TO KYNAR 500.

NAILS FOR FASTENING ALUMINUM: STAINLESS STEEL OF STRONGHOLD TYPE WITH A LARGE FLAT HEAD. NOT SMALLER THAN #12 GAUGE WITH LENGTH SUFFICIENT TO PENETRATE ROOF/BLOCKING AND NOT LESS 3/8".

**SEALANTS:**

**BASIS OF DESIGN:** EXTERIOR SEALANT - TREMCO SPECTREM 1. INTERIOR SEALANT - TREMCO TREMIFLEX834.



PROJECT NORTH

KEY PLAN

Drawing Number: **A-1**

Date: 8/18  
Scale: 1/4" = 1'-0"  
Drawn By: BCC  
Project Number: 19-0288

Details  
Glass Block Elevation &

SILVER/PETRUCELLI + ASSOCIATES



Architects / Engineers / Interior Designers  
3190 Whitney Avenue, Hamden, CT 06518-2340  
One Post Hill Place, New London, CT 06320  
Tel: 203 230 9007 Fax: 203 230 8247  
silverpetrucci.com

KT Murphy Elementary School  
Media Center Glass Block Wall Repair  
19 Horton Street  
Stamford, Connecticut 06902

Project Title: